

# Raziol Dosing Control Units

## Contact Lubrication

Product  
Portfolio



**Raziol**  
Zibulla & Sohn GmbH

... and everything is running smoothly

# Contents

# Notes

|                                  |   | Page |
|----------------------------------|---|------|
| MST 003                          | (Manual control<br>3 litre plastic canister)  | 4    |
| MST 010                          | (Manual control<br>10 litre plastic canister)   | 6    |
| MST-D VBMV                       | (Manual control, pressure reservoir)  | 8    |
| MST-D VBMV-2                     | (Manual control, pressure reservoir)  | 10   |
| EST-D                            | (Electronic control, pressure reservoir)  | 12   |
| EST-D stand                      | (Electronic control, pressure reservoir<br>as mobile unit)                                | 14   |
| EST-D.2                          | (Electronic control, pressure reservoirs<br>for two media)                                | 16   |
| EBAD-3000 D VBMV-2               | (Electronic lubrication application dosing<br>control, pressure reservoir)                | 18   |
| EBAD-3000 D VBMV-2<br>in a stand | (Electronic lubrication application dosing<br>control, pressure reservoir as mobile unit) | 20   |
| Pressure reservoir               | 25 and 40 litres  | 22   |
| Accessories                      | Funnel and float switch   | 23   |

# MST 003



MST 003 hand lever

## Description

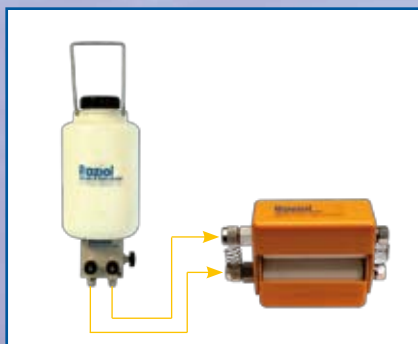
- manual adjustment of the oil quantity by means of 2 restrictor valves at the oil manifold
- shut off valve, either manual or 24V solenoid valve

## Use

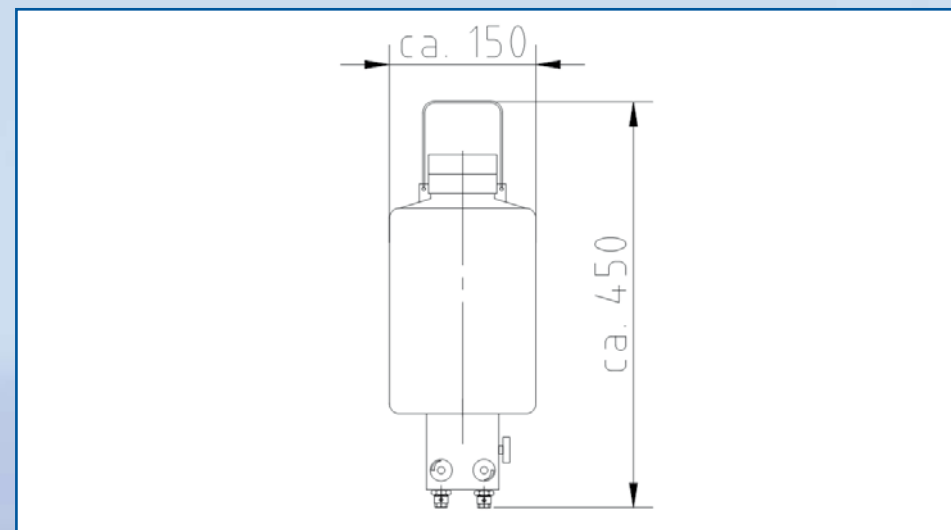
- RB M, RB M-SW, RB M-LC, RB-F, RB B, RB F-SW



MST 003 VBMV



# (Manuelle Steuerung)



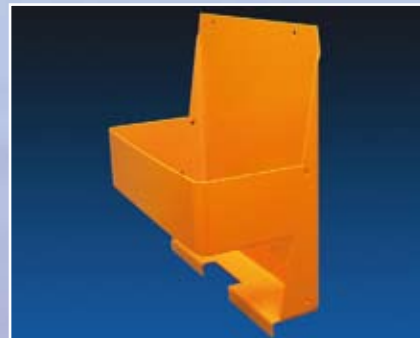
Dimensions, 3 litre plastic canister

| Part No.   | Name               | Lubricant provisioning   | Oil manifold  | Max. admissible oil viscosity |
|------------|--------------------|--------------------------|---|-------------------------------|
| 1041603000 | MST 003 hand lever | 3 litre plastic canister | VBH oil manifold with two restrictor valves and manual shut off valve | 20 mm <sup>2</sup> /s (40°C)  |
| 1042603000 | MST 003 VBMV       | 3 litre plastic canister | VBMV oil manifold, shut off valve 24V solenoid valve                  | 20 mm <sup>2</sup> /s (40°C)  |

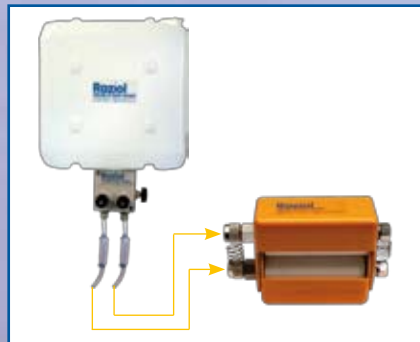
# MST 010



MST 010 VBMV



Accessories: wall holder



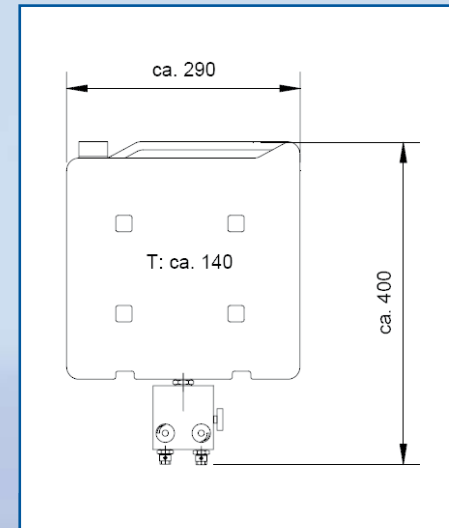
## Description

- manual adjustment of the oil quantity by means of 2 restrictor valves at the oil manifold
- the two outputs of the oil manifold are simultaneously switched, either manually or electrically
- accessories: wall holder for 10 litre canister

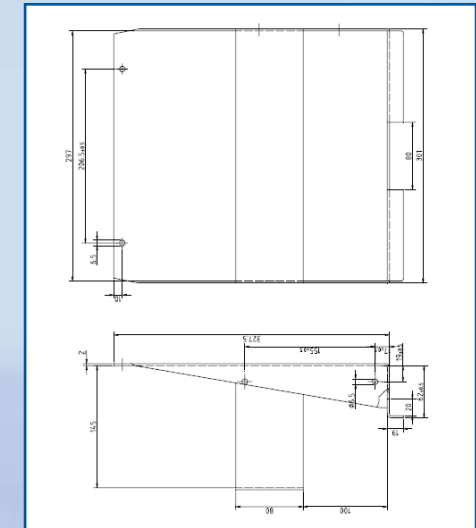
## Use

- roller lubricator RB M, RB M-SW, RB M-LC, RB-F, RB B, RB F-SW

# (Manuelle Steuerung)



Dimensions, 10 litre canister



Wall mounting, wall holder

| Part No.   | Name               | Lubricant provisioning | Oil manifold  | Max. admissible oil viscosity |
|------------|--------------------|------------------------|---|-------------------------------|
| 1041200000 | MST 010 Hand lever | 10 litre canister      | VBH oil manifold with two restrictor valves and manual shut off valve | 20 mm <sup>2</sup> /s (40°C)  |
| 1042610000 | MST 010 VBMV       | 10 litre canister      | VBMV oil manifold   | 20 mm <sup>2</sup> /s (40°C)  |
| 1042610001 | MST 010 VBMV-2     | 10 litre canister      | VBMV-2 oil manifold   | 20 mm <sup>2</sup> /s (40°C)  |

|            |                                   |
|------------|-----------------------------------|
| 1041400001 | Wall holder for 10 litre canister |
|------------|-----------------------------------|

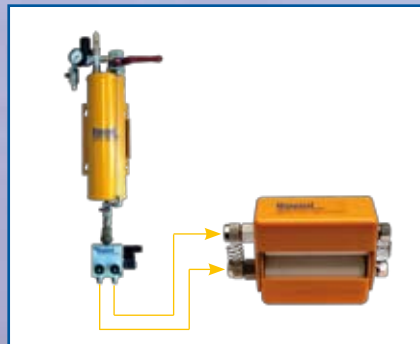
# MST-D VBMV



MST 010-D VBMV



MST 025-D VBMV



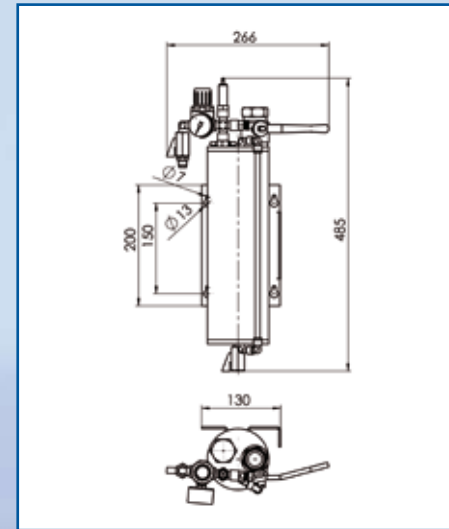
## Description

- manual adjustment of the oil quantity by means of 2 restrictor valves at the oil manifold VBMV
- the two outputs of the oil manifold are simultaneously switched
- optionally with 2, 10, 25 or 40 litre pressure reservoir
- partly with float switch for level monitoring in pressure reservoir
- float switch can be optionally used

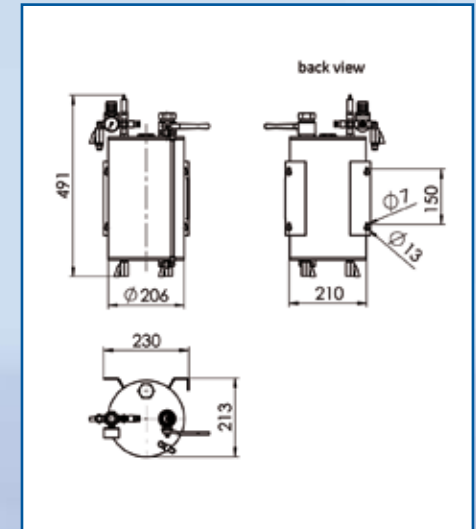
## Use

- RB M, RB M-SW, RB M-LC, RB-F, RB B, RB F-SW, RB FK/BK-SW, RB FK/BK-P-SW, RB PF/PB-SW

# (Manuelle Steuerung-Druckvorratsbehälter)



Wall mounting, pressure reservoir D-002



Wall mounting, pressure reservoir D-010

| Part No.   | Name                            | Lubricant provisioning            | Oil manifold   | Float switch                 |
|------------|---------------------------------|-----------------------------------|--|------------------------------|
| 1042011210 | MST 002-D VBMV                  | 2 litre pressure reservoir D-002  | VBMV mounted with filter below the pressure reservoir  | without                      |
| 1042110000 | MST 010-D VBMV                  | 10 litre pressure reservoir D-010 | VBMV mounted with filter below the pressure reservoir  | without                      |
| 1042110010 | MST 010-D SS VBMV make contact  | 10 litre pressure reservoir D-010 | VBMV mounted with filter below the pressure reservoir  | Float switch "make contact"  |
| 1042110011 | MST 010-D SS VBMV break contact | 10 litre pressure reservoir D-010 | VBMV mounted with filter below the pressure reservoir  | Float switch "break contact" |
| 1042110016 | MST 025-D VBMV                  | 25 litre pressure reservoir D-025 | VBMV on mounting plate for separate pressure reservoir | without                      |
| 1042110017 | MST 040-D VBMV                  | 40 litre pressure reservoir D-040 | VBMV on mounting plate for separate pressure reservoir | without                      |

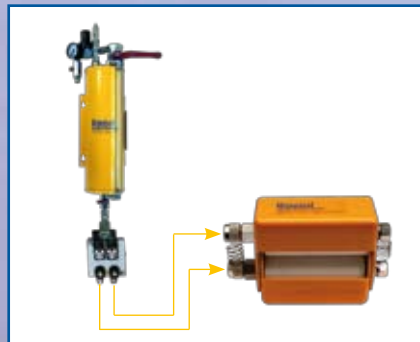
# MST-D VBMV-2



MST 002-D VBMV-2



MST 010-D VBMV-2



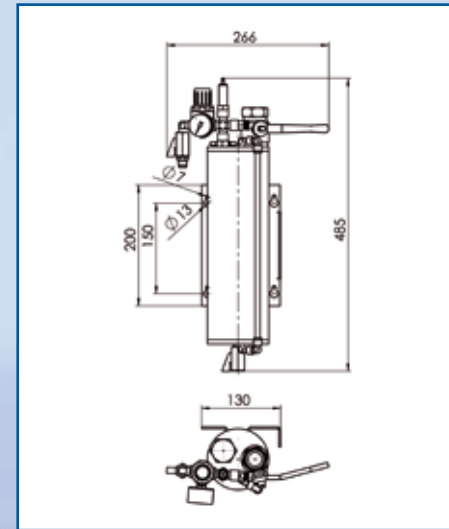
## Description

- manual adjustment of the oil quantity by means of 2 restrictor valves at the oil manifold VBMV-2
- the two outputs of the oil manifold can be separately switched
- optionally with 2 or 10 litre pressure reservoir
- partly with float switch for level monitoring in pressure reservoir
- float switch can be optionally used

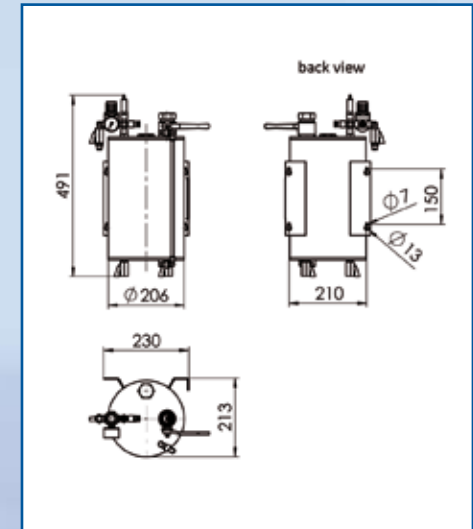
## Use

- RB M, RB M-SW, RB M-LC, RB-F, RB B, RB F-SW, RB FK/BK-SW, RB FK/BK-P-SW, RB PF/PB-SW

# (Manuelle Steuerung-Druckvorratsbehälter)



Wall mounting, pressure reservoir D-002



Wall mounting, pressure reservoir D-010

| Part No.   | Name                              | Lubricant provisioning            | Oil manifold  | Float switch                 |
|------------|-----------------------------------|-----------------------------------|---|------------------------------|
| 1042011211 | MST 002-D VBMV-2                  | 2 litre pressure reservoir D-002  | VBMV-2 mounted with filter below the pressure reservoir | without                      |
| 1042110013 | MST 010-D SS VBMV-2 make contact  | 10 litre pressure reservoir D-010 | VBMV-2 mounted with filter below the pressure reservoir | Float switch "make contact"  |
| 1042110012 | MST 010-D SS VBMV-2 break contact | 10 litre pressure reservoir D-010 | VBMV-2 mounted with filter below the pressure reservoir | Float switch "break contact" |

# EST-D

# (Elektronische Steuerung-Druckvorratsbehälter)



EST 010-D



EST 025-D

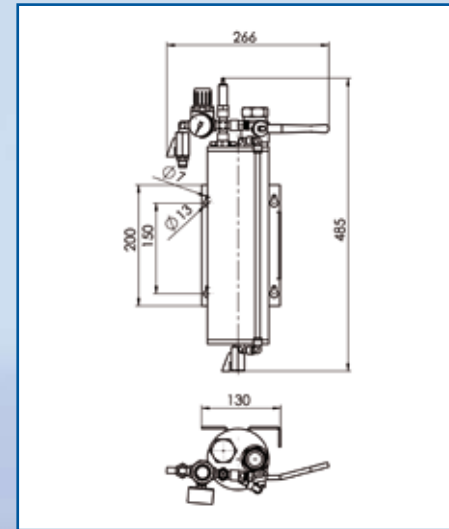


## Description

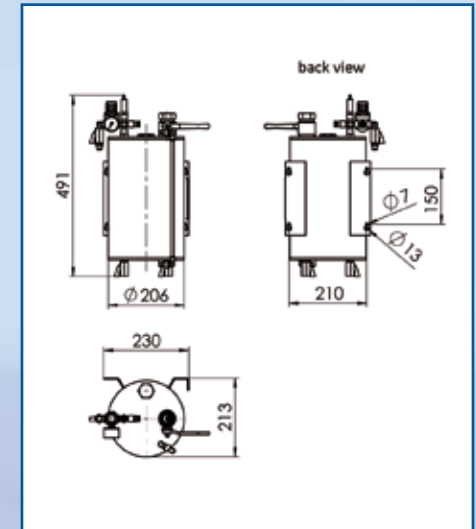
- compact electronic control consisting of control electronics ELS 2000, pressure reservoir and VBMV oil manifold
- optionally with 2, 10, 25 or 40 litre pressure reservoir
- partly with float switch for level monitoring in pressure reservoir
- in case of 2 and 10 litre pressure reservoir, wall mounting of the entire compact control
- in case of 25 and 40 litre pressure reservoir, wall mounting of the plate with oil manifold and control electronics ELS 2000
- infinite adjustment of the oil quantity by means of the ELS 2000 control electronics

## Use

- RB M, RB M-SW, RB M-LC, RB-F, RB B, RB FK-SW, RB BK-SW, RB FK-P-SW, RB BK-P-SW, RB PF-SW, RB PB-SW, RB SF-SW, RB SB-SW



Wall mounting, pressure reservoir D-002



Wall mounting, pressure reservoir D-010

| Part No.   | Name        | Lubricant provisioning            | Float switch |
|------------|-------------|-----------------------------------|--------------|
| 1043411210 | EST 002-D   | 2 litre pressure reservoir D-002  | without      |
| 1043411222 | EST 002-D-S | 2 litre pressure reservoir D-002  | with         |
| 1043300010 | EST 010-D   | 10 litre pressure reservoir D-010 | without      |
| 1043110122 | EST 010-D-S | 10 litre pressure reservoir D-010 | with         |
| 1043300015 | EST 025-D   | 25 litre pressure reservoir D-025 | without      |
| 1043300017 | EST 025-D-S | 25 litre pressure reservoir D-025 | with         |
| 1043300016 | EST 040-D   | 40 litre pressure reservoir D-040 | without      |
| 1043300018 | EST 040-D-S | 40 litre pressure reservoir D-040 | with         |

# EST-D as mobile unit

# (Elektronische Steuerung-Druckvorratsbehälter)



002EST 002-D in a stand



EST 010-D in a stand



## Description

- compact electronic control consisting of control electronics ELS 2000, pressure reservoir and VBMV oil manifold as mobile unit
- optionally with 2 or 10 litre pressure reservoir
- partly with float switch for level monitoring in pressure reservoir
- infinite adjustment of the oil quantity by means of the ELS 2000 control electronics

## Use

- RB M, RB M-SW, RB M-LC, RB-F, RB B, RB FK-SW, RB BK-SW, RB FK-P-SW, RB BK-P-SW, RB PF-SW, RB PB-SW, RB SF-SW, RB SB-SW



H520mm x W500mm x D255mm

Dimensions of EST 002-D in a stand



H705mm x W550mm x D255mm

Dimensions of EST 010-D in a stand

| Part No.   | Name                   | Lubricant provisioning            | Float switch |
|------------|------------------------|-----------------------------------|--------------|
| 1043411220 | EST 002-D in a stand   | 2 litre pressure reservoir D-002  | without      |
| 1043411221 | EST 002-D-S in a stand | 2 litre pressure reservoir D-002  | with         |
| 1043411230 | EST 010-D in a stand   | 10 litre pressure reservoir D-010 | without      |
| 1043411235 | EST 010-S in a stand   | 10 litre pressure reservoir D-010 | with         |



# EST-D.2

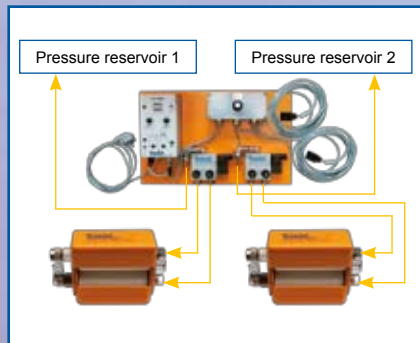
## (Elektronische Steuerung-Druckvorratsbehälter for two media)



EST 010 D.2



Plate ELS 2xVBMV

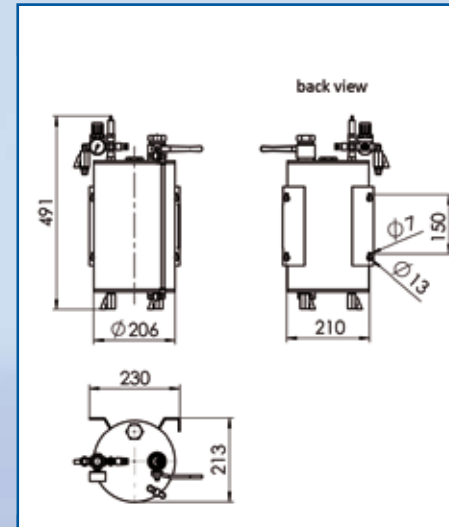


### Description

- compact electronic control with two separate pressure reservoirs consisting of ELS 2000 control electronics, VBMV oil manifold with one solenoid and two restrictor valves, 4-pole changeover switch with two positions for changing over from "container 1" to "container 2" and vice versa
- optionally with two 10, 25 or 40 litre pressure reservoirs each time
- partly with float switch for level monitoring in pressure reservoir
- infinite adjustment of the oil quantity by means of the ELS 2000 control electronics

### Use

- RB M, RB M-SW, RB M-LC, RB-F, RB B, RB FK-SW, RB BK-SW, RB FK-P-SW, RB BK-P-SW, RB PF-SW, RB PB-SW, RB SF-SW, RB SB-SW



Dimensions of pressure reservoir D-010



H 297 mm x W 480 mm

Dimensions of plate ELS 2xVBMV

| Part No.   | Name          | Lubricant provisioning                | Float switch |
|------------|---------------|---------------------------------------|--------------|
| 1043380001 | EST 010 D.2   | 2 x 10 litre pressure reservoir D-010 | without      |
| 1043380025 | EST 025 D.2   | 2 x 25 litre pressure reservoir D-025 | without      |
| 1043380040 | EST 040 D.2   | 2 x 40 litre pressure reservoir D-040 | without      |
| 1043380041 | EST 040 D.2-S | 2 x 40 litre pressure reservoir D-040 | with         |

# EBAD-3000 D VBMV-2



EBAD-3000 010-D VBMV-2



EBAD-3000 040-D.2 2xVBMV-2



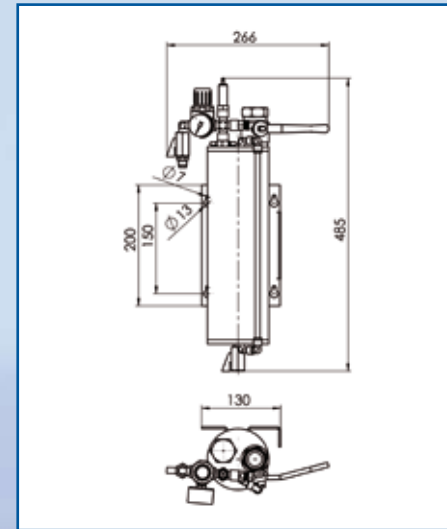
## Description

- compact electronic control consisting of control electronics EBAD-3000, pressure reservoir and VBMV oil manifold
- optionally with 2, 10, 25 or 40 litre pressure reservoir
- partly with float switch for level monitoring in pressure reservoir
- float switch can be optionally used
- infinite adjustment of the oil quantity by means of the EBAD-3000 control electronics

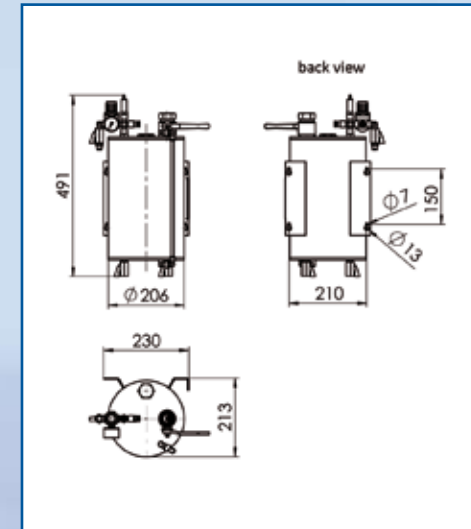
## Use

- RB M, RB M-SW, RB M-LC, RB-F, RB B, RB FK-SW, RB BK-SW, RB FK-P-SW, RB BK-P-SW, RB PF-SW, RB PB-SW, RB SF-SW, RB SB-SW

# (Elektronische Befettungs Auftrags Dosiersteuerung-Druckvorratsbehälter)



Wall mounting, pressure reservoir D-002



Wall mounting, pressure reservoir D-010

| Part No.   | Name                       | Lubricant provisioning            | Float switch |
|------------|----------------------------|-----------------------------------|--------------|
| 1053421210 | EBAD-3000 002-D VBMV-2     | 2 litre pressure reservoir D-002  | without      |
| 1053400023 | EBAD-3000 010-D VBMV-2     | 10 litre pressure reservoir D-010 | without      |
| 1053400026 | EBAD-3000 010-D-S VBMV-2   | 10 litre pressure reservoir D-010 | with         |
| 1053400042 | EBAD-3000 025-D VBMV-2     | 25 litre pressure reservoir D-025 | without      |
| 1053300047 | EBAD-3000 025-D.2 2xVBMV-2 | 25 litre pressure reservoir D-025 | without      |
| 1053400041 | EBAD-3000 040-D VBMV-2     | 40 litre pressure reservoir D-040 | without      |
| 1053300048 | EBAD-3000 040-D.2 2xVBMV-2 | 40 litre pressure reservoir D-040 | without      |

# EBAD-3000 D VBMV-2 as mobile unit

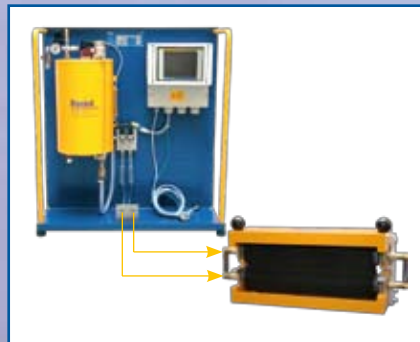
(Elektronische Befettungsauftrags  
Dosiersteuerung-Druckvorratsbehälter)



EBAD-3000 002-D VBMV-2 in a stand



EBAD-3000 010-D VBMV-2 in a stand



## Description

- compact electronic control consisting of control electronics EBAD-3000, pressure reservoir and VBMV-2 oil manifold as mobile unit
- optionally with 2 or 10 litre pressure reservoir
- a float switch can be optionally used for level monitoring in pressure reservoir
- infinite adjustment of the oil quantity by means of the EBAD-3000 control electronics

## Use

- RB M, RB M-SW, RB M-LC, RB-F, RB B, RB FK-SW, RB BK-SW, RB FK-P-SW, RB BK-P-SW, RB PF-SW, RB PB-SW, RB SF-SW, RB SB-SW



H520mm x W500mm x D255mm

Dimensions of EBAD-3000 002-D VBMV-2 in a stand



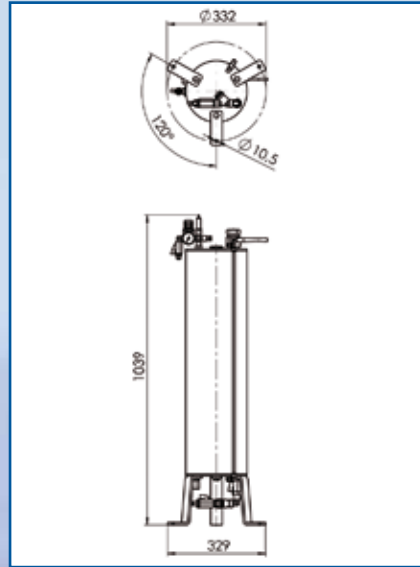
H705mm x W550mm x D255mm

Dimensions of EBAD-3000 010-D VBMV-2 in a stand

| Part No.   | Name                              | Lubricant provisioning            | Float switch |
|------------|-----------------------------------|-----------------------------------|--------------|
| 1053411211 | EBAD-3000 002-D VBMV-2 in a stand | 2 litre pressure reservoir D-002  | without      |
| 1053400024 | EBAD-3000 010-D VBMV-2 in a stand | 10 litre pressure reservoir D-010 | without      |

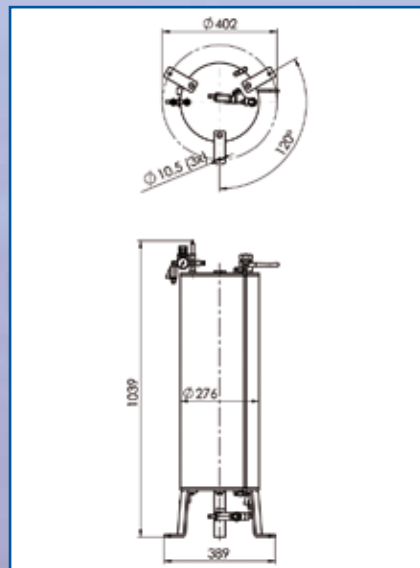
# Pressure reservoir, 25 and 40 litres

# Accessories



## Pressure reservoir, 25 litres

- lubricant provisioning
- with compressed air fitting up to 2.5 bar
- with filter 1/2"



## Pressure tank 40 litres

- lubricant provisioning
- with compressed air fitting up to 2.5 bar
- with filter 1/2"

If needed, special steel reservoirs with removable cover can be used. For further information, please contact our technical sales department by calling the telephone number: +49 2374 5000 0



## Funnel

- to be screwed onto the pressure reservoir
- diameter: 160 mm
- capacity: 1.2 litres
- with filling pipe G1x150 mm and two sieves



## Float switch mounting kit

- float switch with two special steel floats for level monitoring in the pressure reservoir



For further information about our comprehensive accessories, such as flashlamps, signal columns, automatic filling, pumps etc., please contact our staff by calling the telephone number: +49 2374 5000 0



• We would be happy to send you additional information material, e.g. on

- Roller lubricators
- Forming lubricants
- Nozzles and lubrication points
- Exhaust systems

#### **Raziol Zibulla & Sohn GmbH**

Hagener Str. 144 + 152 • D-58642 Iserlohn

Telephone: +49 (0) 23 74-50 00-0

Fax: +49 (2374) 500-012

E-mail: [info@raziol.de](mailto:info@raziol.de)

Internet: [www.raziol.de](http://www.raziol.de)

[www.drylub.de](http://www.drylub.de)

Raziol dosing control units, contact lubrication - October 2009

... and everything is running smoothly