

## POIGNEE ETRIER HYGIENIQUE EN ALUMINIUM

RSC.R1 / S1



### MATIERE ET EXECUTION :

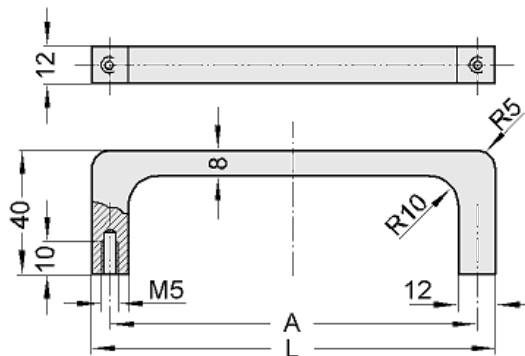
Aluminium AL mg Si 0,5.  
Surface super polie, couleur blanc-gris  
- RAL 9002 (clean - hygiénique).  
- RAL 9003 (medical-anti-bactérien).

Traction : 50 daN

### Ref. RSC.R1



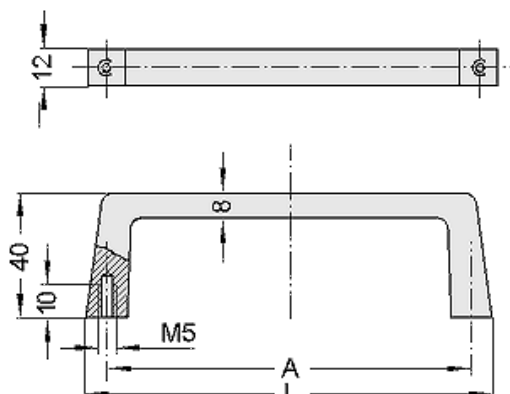
A	L	Ref.	
		clean	medical
55	67	RSC.R1.12.055.9002	RSC.R1.12.055.9003
88	100	RSC.R1.12.088.9002	-
120	132	RSC.R1.12.120.9002	RSC.R1.12.120.9003
180	192	RSC.R1.12.180.9002	RSC.R1.12.180.9003
235	247	RSC.R1.12.235.9002	-



### Ref. RSC.S1



A	L	Ref.	
		clean	medical
25	40	RSC.S1.12.025.9002	-
55	67	RSC.S1.12.055.9002	RSC.S1.12.055.9003
88	100	RSC.S1.12.088.9002	-
120	132	RSC.S1.12.120.9002	RSC.S1.12.120.9003
180	192	RSC.S1.12.180.9002	RSC.S1.12.180.9003
235	247	RSC.S1.12.235.9002	RSC.S1.12.235.9003



## POIGNEE ETRIER HYGIENIQUE EN ALUMINIUM

RSC.RA / AE



### MATIERE ET EXECUTION :

Aluminium Al Mg Si 0,5.

Surface super polie, couleur gris-blanc.

- RAL 9002 : exécution hygiénique "clean".

- RAL 9003 : exécution anti-bactérienne "medical".

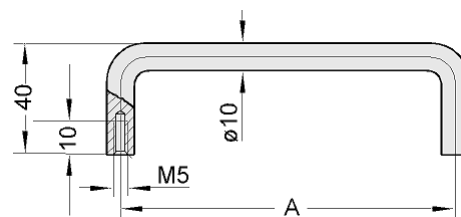
Ref. RSC.RA.10... : modèle droit.

Ref. RSC.AE10... : modèle coudé

Traction : 50 daN.

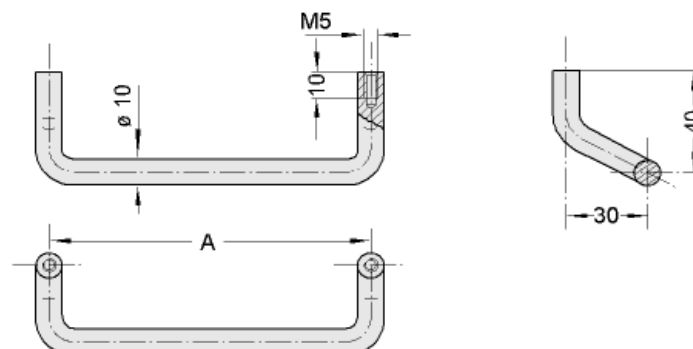
### Ref. RSC.RA

A	Ref.	
	clean	medical
55	RSC.RA.10.055.9002	RSC.RA.10.055.9003
88	RSC.RA.10.088.9002	-
100	RSC.RA.10.100.9002	RSC.RA.10.100.9003
120	RSC.RA.10.120.9002	-
180	RSC.RA.10.180.9002	RSC.RA.10.180.9003
200	RSC.RA.10.200.9002	-
235	RSC.RA.10.235.9002	-
250	RSC.RA.10.250.9002	-



### Ref. RSC.AE

L	Ref.	
	clean	medical
86	RSC.AE.10.086.9002	RSC.AE.10.086.9003
120	RSC.AE.10.120.9002	RSC.AE.10.120.9003
180	RSC.AE.10.180.9002	RSC.AE.10.180.9003



## POIGNEE ETRIER HYGIENIQUE "CLEAN" EN ALUMINIUM

RSC.MG.02.120.9002

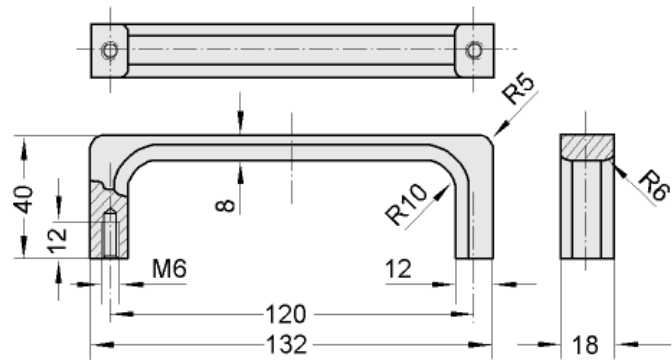


### MATIERE ET EXECUTION :

Aluminium AlMgSi 0,5

"Clean" - surface super-polie, couleur gris blanc RAL 9002.

Traction : 50 daN.



## POIGNEE ETRIER HYGIENIQUE EN ALUMINIUM

RSC.OA / MF



### MATIERE ET EXECUTION :

Aluminium AlMgSi 0,5

Surface super-polie, couleur gris-blanc :

- RAL 9002 – exécution hygiénique "clean"
- RAL 9003 – exécution anti-bactérienne "medical".

Ref. RSC.MF... : ovale de 20 x 10 mm

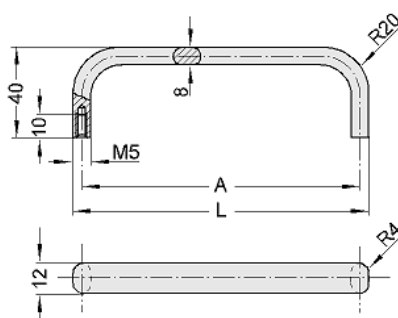
Ref RSC.OA... : ovale de 12 x 8 mm.

Tractin : 50 daN.

### TYPE RSC.OA.



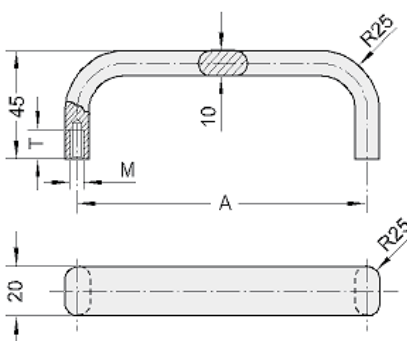
A	Ref.	
	clean	medical
55	RSC.OA.12.055.9002	RSC.OA.12.055.9003
88	RSC.OA.12.088.9002	-
100	RSC.OA.12.100.9002	RSC.OA.12.100.9003
120	RSC.OA.12.120.9002	RSC.OA.12.120.9003
180	RSC.OA.12.180.9002	-
200	RSC.OA.12.200.9002	-
235	RSC.OA.12.235.9002	-
250	RSC.OA.12.250.9002	-



### TYPE RSC.MF



A	Ref.	
	clean	medical
120	RSC.MF.20.120.9002	RSC.MF.20.120.9003
140	RSC.MF.20.140.9002	-
180	RSC.MF.20.180.9002	RSC.MF.20.180.9003
200	RSC.MF.20.200.9002	RSC.MF.20.200.9003
350	RSC.MF.20.350.9002	-



## POIGNEE ETRIER HYGIENIQUE "CLEAN" EN ALUMINIUM

RSC.M1 / M4



### MATIERE ET EXECUTION :

Aluminium AlMgSi 0,5.

Surface super polie, couleur gris-blanc RAL 9002

Ref. RSC.M1... : tube droit Ø 20, 25 ou 30 mm

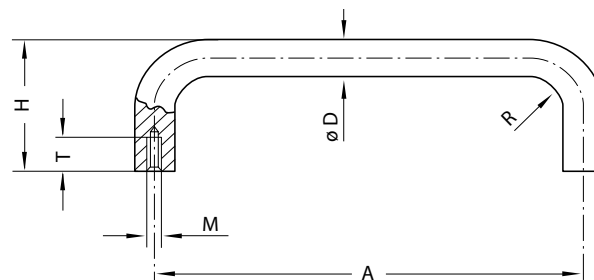
Ref. RSC.M4... : tube coudé Ø 30 mm

Traction : 100 daN.

Sur demande : anneau de recouvrement pour Ø 20.

### TYPE M1

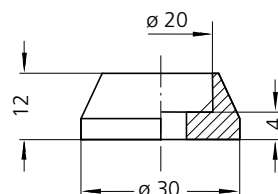
	A	Ref. blanc-gris RAL 9002	M	T	H	R
Ø 20	200	RSC.M1.20.R200.9002	8	15	70	22
	250	RSC.M1.20.R250.9002				
	300	RSC.M1.20.R300.9002				
	350	RSC.M1.20.R350.9002				
	400	RSC.M1.20.R400.9002				
	600	RSC.M1.20.R600.9002				



Ø 25	200	RSC.M1.25.R200.9002	8	15	85	28
	250	RSC.M1.25.R250.9002				
	300	RSC.M1.25.R300.9002				
	400	RSC.M1.25.R400.9002				
	600	RSC.M1.25.R600.9002				

Ø 30	300	RSC.M1.30.R300.9002	10	15	100	34
	400	RSC.M1.30.R400.9002				
	600	RSC.M1.30.R600.9002				

Anneau de recouvrement Paquet de 2 pièces pour Ø 20	RSC.M1.20.000.9002
--	--------------------



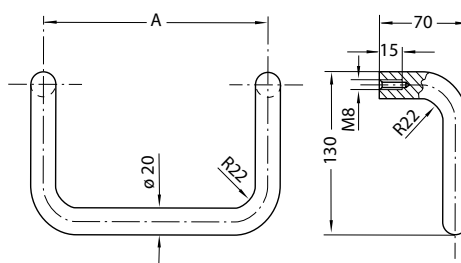
## POIGNEE ETRIER HYGIENIQUE "CLEAN" EN ALUMINIUM

RSC.M1 / M4



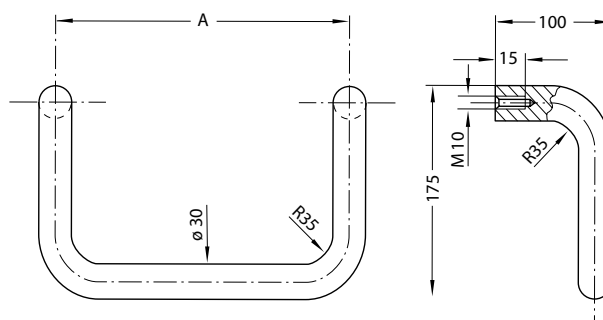
RSC.M4.20

	A	Ref.
Ø 20		blanc-gris RAL 9002
	200	RSC.M4.20.200.9002
	250	RSC.M4.20.250.9002
	300	RSC.M4.20.300.9002
	350	RSC.M4.20.350.9002
	400	RSC.M4.20.400.9002



RSC.M4.30

Ø 30	300	RSC.M4.30.300.9002
	350	RSC.M4.30.350.9002
	400	RSC.M4.30.400.9002
	500	RSC.M4.30.500.9002



## POIGNEE ETRIER HYGIENIQUE EN ALUMINIUM

RSC.MO.



### MATIERE ET EXECUTION :

Aluminium AlMgSi 0,5. Surface super polie, couleur gris-blanc

- RAL 9002 : exécution hygiénique "clean"

- RAL 9003 : exécution anti-bactérienne "medical"

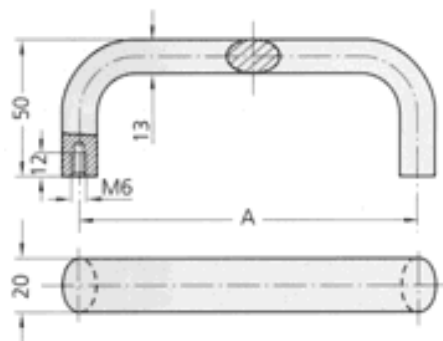
Ref. RSC.MO.20... : ovale de 20 x 13 mm.

Ref. RSC.MO.26... : ovale de 26 x 17 mm.

Traction : 50 daN.

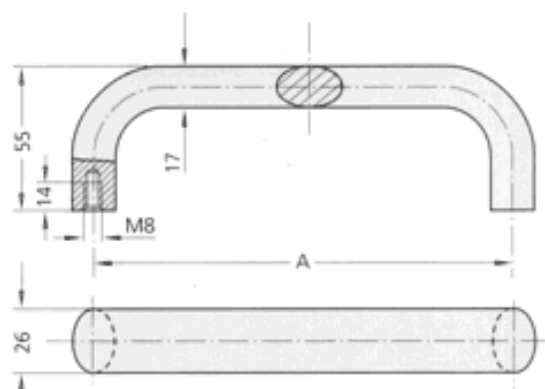
### TYPE RSC.MO.20

A	Ref.	
	clean	medical
100	RSC.MO.20.100.9002	-
120	-	RSC.MO.20.120.9003
128	RSC.MO.20.128.9002	-
160	RSC.MO.20.160.9002	RSC.MO.20.160.9003



### TYPE RSC.MO.26

A	Ref.	
	clean	medical
140	RSC.MO.26.140.9002	-
160	RSC.MO.26.160.9002	-
180	RSC.MO.26.180.9002	RSC.MO.26.180.9003
192	RSC.MO.26.192.9002	-
350	RSC.MO.26.350.9002	RSC.MO.26.350.9003



## POIGNEE ETRIER HYGIENIQUE EN ALUMINIUM

RSC.AB / AG



### MATIERE ET EXECUTION :

Aluminium AlMgSi 0,5.

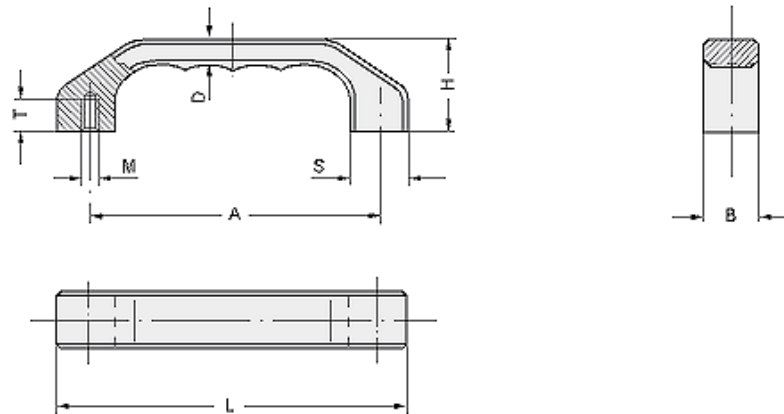
Surface super-polie, couleur gris-blanc :

- RAL 9002 : exécution hygiénique "clean"
- RAL 9003 : exécution anti-bactérienne "medical"

Traction : 100 daN.

### TYPE RSC.AB

A	L	M	T	H	B	D	S	Ref. clean
120	144	6	12	46	22	15	24	RSC.AB.22.R120.9002
140	168	8	15	53	25	17	28	RSC.AB.25.R140.9002



### TYPE RSC.AG

A	L	M	T	H	B	D	S	Ref.	
								clean	medical
120	146	6	12	39	22	10,5	24	RSC.AG.22.R120.9002	RSC.AG.22.R120.9003
140	170	8	15	45	25	12	28	RSC.AG.25.R140.9002	RSC.AG.25.R140.9003
160	194	8	15	52	28	13,5	32	RSC.AG.28.R160.9002	RSC.AG.28.R160.9003

