

## BAGUE D'ARRET FENDUE AVEC MANETTE INDEXABLE

**GWN.7064**

**MATIERE ET EXECUTION :**

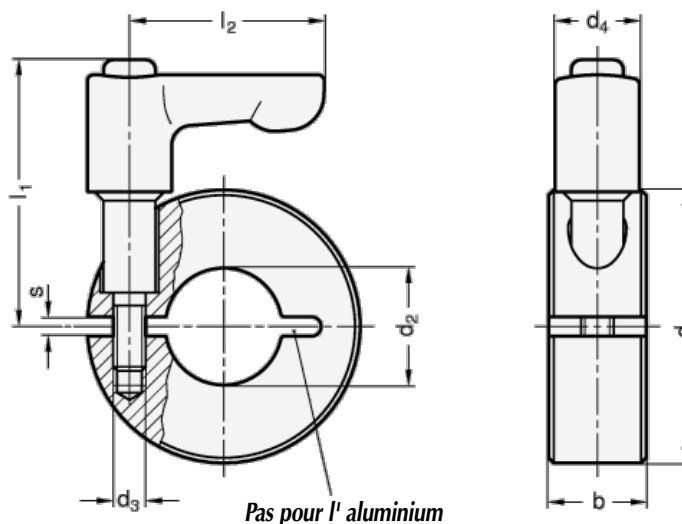
Ref. GWN.7064...S = bague en acier, noirci


Ref. GWN.7064...L = bague en aluminium

Ref. GWN.7064...R = bague en INOX 1.4404 – AISI 316 L

Poignée en zamak de couleur noire (RAL 9005)

avec pièces intérieures en INOX 1.4305 - AISI 303.



Ø d2	Ø d1	b±0,2	d3	Ø d4	l1	l2	s			
								acier	Ref. alu	INOX
14	32	11	M 4	13	37	30	2,1	GWN.7064.14.32.S	GWN.7064.14.32.L	GWN.7064.14.32.R
15	36	13	M 5	13	38,5	30	2,1	GWN.7064.15.36.S	GWN.7064.15.36.L	GWN.7064.15.36.R
16	36	15	M 5	13	38,5	30	3	GWN.7064.16.36.S	GWN.7064.16.36.L	GWN.7064.16.36.R
18	42	15	M 5	13	41	30	3	GWN.7064.18.36.S	GWN.7064.18.36.L	GWN.7064.18.36.R
20	42	15	M 5	13	41	45	3	GWN.7064.20.42.S	GWN.7064.20.42.L	GWN.7064.20.42.R
22	48	15	M 5	13	43	45	3	GWN.7064.22.48.S	GWN.7064.22.48.L	GWN.7064.22.48.R
25	48	15	M 5	13	43	45	3	GWN.7064.25.48.S	GWN.7064.25.48.L	GWN.7064.25.48.R
28	55	15	M 6	13	45	45	3	GWN.7064.28.55.S	GWN.7064.28.55.L	GWN.7064.28.55.R
30	55	15	M 6	13	45	45	4	GWN.7064.30.55.S	GWN.7064.30.55.L	GWN.7064.30.55.R
32	60	15	M 6	13	46,5	45	4	GWN.7064.32.60.S	GWN.7064.32.60.L	GWN.7064.32.60.R
35	60	15	M 6	13	46,5	45	4	GWN.7064.35.60.S	GWN.7064.35.60.L	GWN.7064.35.60.R
40	65	15	M 6	13	47,5	45	4	GWN.7064.40.65.S	GWN.7064.40.65.L	GWN.7064.40.65.R