

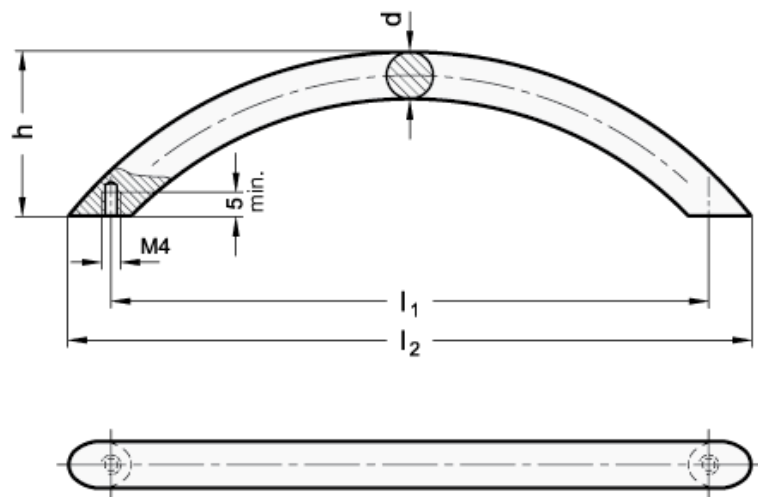
## MINI POIGNEE ELLIPSE EN ACIER

**GWN.4241**

**MATIERE ET EXECUTION :**

En acier rond fixation par l'arrière.

- Ref. GWN.4241...SW = noir RAL.9005
- Ref. GWN.4241...SR = argenté RAL 9006
- Ref. GWN.4241...CR = chromé



Ø d1	l1 +/- 0,25	l2	h	d2	t min.	Ref.		
						noir	argenté	chromé
10	64	75	35	M4	5	GWN.4241.10.64.SW	GWN.4241.10.64.SR	GWN.4241.10.64.CR
10	96	111	35	M4	5	GWN.4241.10.96.SW	GWN.4241.10.96.SR	GWN.4241.10.96.CR
10	128	146	35	M4	5	GWN.4241.10.128.SW	GWN.4241.10.128.SR	GWN.4241.10.128.CR
10	160	181	35	M4	5	GWN.4241.10.160.SW	GWN.4241.10.160.SR	GWN.4241.10.160.CR
10	192	219	35	M4	5	GWN.4241.10.192.SW	GWN.4241.10.192.SR	GWN.4241.10.192.CR