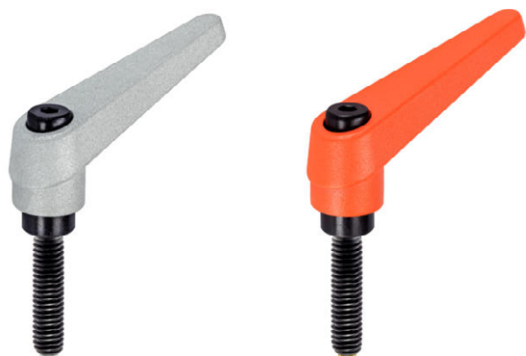
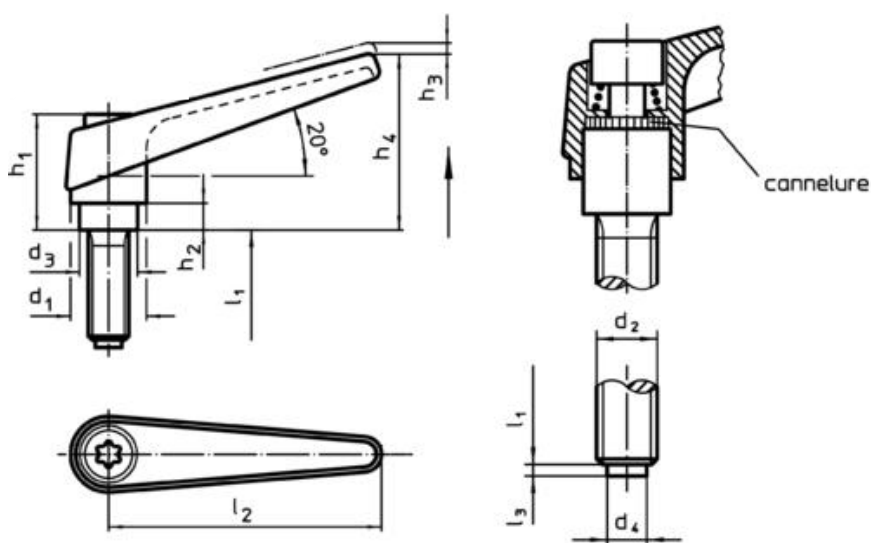


MANETTE INDEXABLE AVEC EMBOUT PLAT EN PLASTIQUE

H.24410

MATIERE ET EXECUTION :

Poignée en zamak plastifié :

Pièces intérieures et tige filetée en acier bruni 5.8

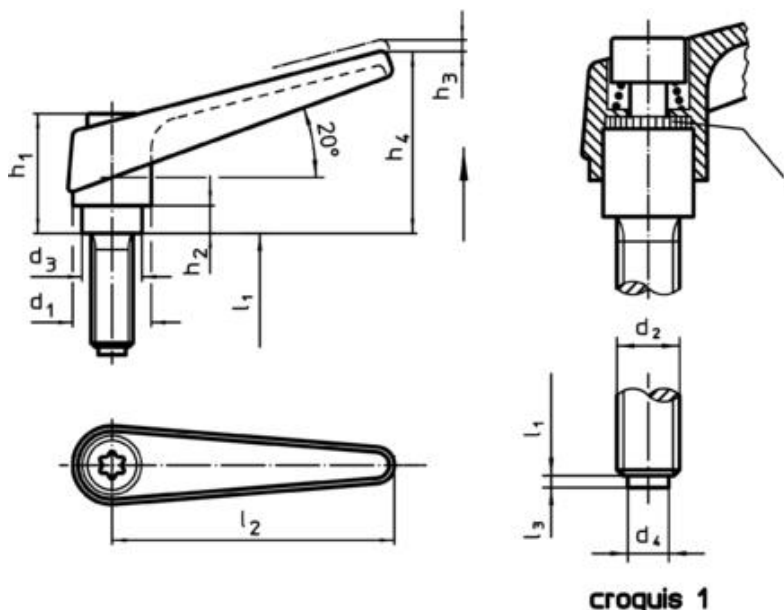
REMARQUE : indexation en tirant le levier vers le haut.


Avec embout plat en plastique

d 1	d 2	l 1	d 3	d 4	h 1	h 2	h 3	h 4	l 2	l 3	Ref.		
											orange	argent	noir
14	M 6	16	10,0	4,0	24,5	4,0	3	35	45	1,0	H.24410.0141	H.24410.0143	H.24410.0144
14	M 6	20	10,0	4,0	24,5	4,0	3	35	45	1,0	H.24410.0151	H.24410.0153	H.24410.0154
14	M 6	25	10,0	4,0	24,5	4,0	3	35	45	1,0	H.24410.0161	H.24410.0163	H.24410.0164
14	M 6	32	10,0	4,0	24,5	4,0	3	35	45	1,0	H.24410.0171	H.24410.0173	H.24410.0174
14	M 6	40	10,0	4,0	24,5	4,0	3	35	45	1,0	H.24410.0181	H.24410.0183	H.24410.0184
14	M 6	50	10,0	4,0	24,5	4,0	3	35	45	1,0	H.24410.0191	H.24410.0193	H.24410.0194
18	M 8	20	13,5	6,0	31,0	6,5	3	45	62	1,0	H.24410.0341	H.24410.0343	H.24410.0344
18	M 8	25	13,5	6,0	31,0	6,5	3	45	62	1,0	H.24410.0351	H.24410.0353	H.24410.0354
18	M 8	32	13,5	6,0	31,0	6,5	3	45	62	1,0	H.24410.0361	H.24410.0363	H.24410.0364
18	M 8	40	13,5	6,0	31,0	6,5	3	45	62	1,0	H.24410.0371	H.24410.0373	H.24410.0374
18	M 8	50	13,5	6,0	31,0	6,5	3	45	62	1,0	H.24410.0381	H.24410.0383	H.24410.0384
18	M 8	63	13,5	6,0	31,0	6,5	3	45	62	1,0	H.24410.0391	H.24410.0393	H.24410.0394
18	M10	20	13,5	8,0	31,0	6,5	3	45	62	2,0	H.24410.0441	H.24410.0443	H.24410.0444
18	M10	25	13,5	8,0	31,0	6,5	3	45	62	2,0	H.24410.0451	H.24410.0453	H.24410.0454
18	M10	32	13,5	8,0	31,0	6,5	3	45	62	2,0	H.24410.0461	H.24410.0463	H.24410.0464
18	M10	40	13,5	8,0	31,0	6,5	3	45	62	2,0	H.24410.0471	H.24410.0473	H.24410.0474
18	M10	50	13,5	8,0	31,0	6,5	3	45	62	2,0	H.24410.0481	H.24410.0483	H.24410.0484
18	M10	63	13,5	8,0	31,0	6,5	3	45	62	2,0	H.24410.0491	H.24410.0493	H.24410.0494

MANETTE INDEXABLE AVEC EMBOUT PLAT EN LAITON

H.24410

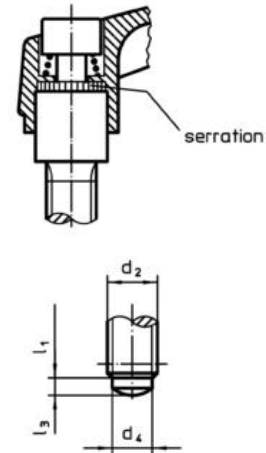
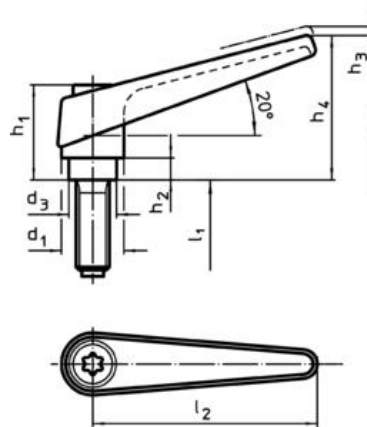


Embout plat en laiton

d1	d2	l1	d3	d4	h1	h2	h3	h4	l2	l3	poids (g)	Ref.		
												orange	argent	noir
14	M 6	16	10.0	4.0	24.5	4.0	3	35	45	1.0	37	H.24410.1141	H.24410.1143	H.24410.1144
14	M 6	20	10.0	4.0	24.5	4.0	3	35	45	1.0	38	H.24410.1151	H.24410.1153	H.24410.1154
14	M 6	25	10.0	4.0	24.5	4.0	3	35	45	1.0	39	H.24410.1161	H.24410.1163	H.24410.1164
14	M 6	32	10.0	4.0	24.5	4.0	3	35	45	1.0	40	H.24410.1171	H.24410.1173	H.24410.1174
14	M 6	40	10.0	4.0	24.5	4.0	3	35	45	1.0	41	H.24410.1181	H.24410.1183	H.24410.1184
14	M 6	50	10.0	4.0	24.5	4.0	3	35	45	1.0	43	H.24410.1191	H.24410.1193	H.24410.1194
18	M 8	20	13.5	6.0	31.0	6.5	3	45	62	1.0	76	H.24410.1341	H.24410.1343	H.24410.1344
18	M 8	25	13.5	6.0	31.0	6.5	3	45	62	1.0	77	H.24410.1351	H.24410.1353	H.24410.1354
18	M 8	32	13.5	6.0	31.0	6.5	3	45	62	1.0	79	H.24410.1361	H.24410.1363	H.24410.1364
18	M 8	40	13.5	6.0	31.0	6.5	3	45	62	1.0	81	H.24410.1371	H.24410.1373	H.24410.1374
18	M 8	50	13.5	6.0	31.0	6.5	3	45	62	1.0	84	H.24410.1381	H.24410.1383	H.24410.1384
18	M 8	63	13.5	6.0	31.0	6.5	3	45	62	1.0	89	H.24410.1391	H.24410.1393	H.24410.1394
18	M10	20	13.5	8.0	31.0	6.5	3	45	62	2.0	128	H.24410.1441	H.24410.1443	H.24410.1444
18	M10	25	13.5	8.0	31.0	6.5	3	45	62	2.0	130	H.24410.1451	H.24410.1453	H.24410.1454
18	M10	32	13.5	8.0	31.0	6.5	3	45	62	2.0	134	H.24410.1461	H.24410.1463	H.24410.1464
18	M10	40	13.5	8.0	31.0	6.5	3	45	62	2.0	138	H.24410.1471	H.24410.1473	H.24410.1474
18	M10	50	13.5	8.0	31.0	6.5	3	45	62	2.0	143	H.24410.1481	H.24410.1483	H.24410.1484
18	M10	63	13.5	8.0	31.0	6.5	3	45	62	2.0	148	H.24410.1491	H.24410.1493	H.24410.1494

MANETTE INDEXABLE AVEC EMBOUT ARRONDI

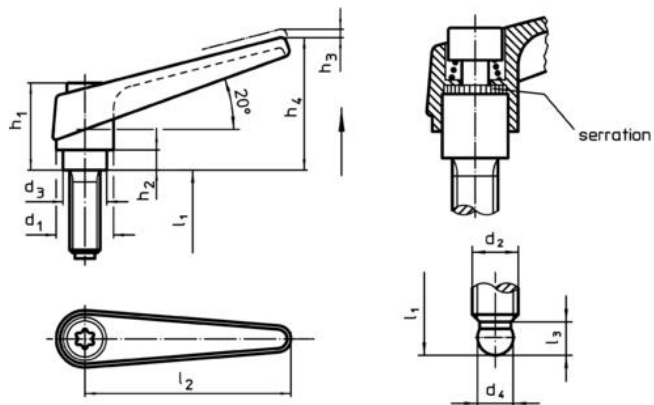
H.24410



Embout arrondi

d 1	d 2	l 1	d 3	d 4	h 1	h 2	h 3	h 4	l 2	l 3	poids (g)	Ref.		
												orange	argent	noir
14	M 6	16	10.0	4.0	24.5	4.0	3	35	45	1.8	39	H.24410.2141	H.24410.2143	H.24410.2144
14	M 6	20	10.0	4.0	24.5	4.0	3	35	45	1.8	40	H.24410.2151	H.24410.2153	H.24410.2154
14	M 6	25	10.0	4.0	24.5	4.0	3	35	45	1.8	41	H.24410.2161	H.24410.2163	H.24410.2164
14	M 6	32	10.0	4.0	24.5	4.0	3	35	45	1.8	42	H.24410.2171	H.24410.2173	H.24410.2174
14	M 6	40	10.0	4.0	24.5	4.0	3	35	45	1.8	43	H.24410.2181	H.24410.2183	H.24410.2184
14	M 6	50	10.0	4.0	24.5	4.0	3	35	45	1.8	45	H.24410.2191	H.24410.2193	H.24410.2194
18	M 8	20	13.5	6.0	31.0	6.5	3	45	62	1.8	78	H.24410.2341	H.24410.2343	H.24410.2344
18	M 8	25	13.5	6.0	31.0	6.5	3	45	62	1.8	79	H.24410.2351	H.24410.2353	H.24410.2354
18	M 8	32	13.5	6.0	31.0	6.5	3	45	62	1.8	81	H.24410.2361	H.24410.2363	H.24410.2364
18	M 8	40	13.5	6.0	31.0	6.5	3	45	62	1.8	83	H.24410.2371	H.24410.2373	H.24410.2374
18	M 8	50	13.5	6.0	31.0	6.5	3	45	62	1.8	86	H.24410.2381	H.24410.2383	H.24410.2384
18	M 8	63	13.5	6.0	31.0	6.5	3	45	62	1.8	91	H.24410.2391	H.24410.2393	H.24410.2394
18	M10	20	13.5	8.0	31.0	6.5	3	45	62	3.5	130	H.24410.2441	H.24410.2443	H.24410.2444
18	M10	25	13.5	8.0	31.0	6.5	3	45	62	3.5	132	H.24410.2451	H.24410.2453	H.24410.2454
18	M10	32	13.5	8.0	31.0	6.5	3	45	62	3.5	136	H.24410.2461	H.24410.2463	H.24410.2464
18	M10	40	13.5	8.0	31.0	6.5	3	45	62	3.5	140	H.24410.2471	H.24410.2473	H.24410.2474
18	M10	50	13.5	8.0	31.0	6.5	3	45	62	3.5	145	H.24410.2481	H.24410.2483	H.24410.2484
18	M10	63	13.5	8.0	31.0	6.5	3	45	62	3.5	150	H.24410.2491	H.24410.2493	H.24410.2494

MANETTE INDEXABLE AVEC EMBOUT A BOULE

H.24410


Embout à boule

d 1	d 2	l 1	d 3	d 4	h 1	h 2	h 3	h 4	l 2	l 3	poids (g)	Ref.		
												orange	argent	noir
14	M 6	16	10.0	4.5 +0.05	24.5	4.0	3	35	45	3.6	35	H.24410.3141	H.24410.3143	H.24410.3144
14	M 6	20	10.0	4.5 +0.05	24.5	4.0	3	35	45	3.6	36	H.24410.3151	H.24410.3153	H.24410.3154
14	M 6	25	10.0	4.5 +0.05	24.5	4.0	3	35	45	3.6	37	H.24410.3161	H.24410.3163	H.24410.3164
14	M 6	32	10.0	4.5 +0.05	24.5	4.0	3	35	45	3.6	38	H.24410.3171	H.24410.3173	H.24410.3174
14	M 6	40	10.0	4.5 +0.05	24.5	4.0	3	35	45	3.6	39	H.24410.3181	H.24410.3183	H.24410.3184
14	M 6	50	10.0	4.5 +0.05	24.5	4.0	3	35	45	3.6	41	H.24410.3191	H.24410.3193	H.24410.3194
18	M 8	20	13.5	6.1 +0.05	31.0	6.5	3	45	62	3.6	74	H.24410.3341	H.24410.3343	H.24410.3344
18	M 8	25	13.5	6.1 +0.05	31.0	6.5	3	45	62	3.6	75	H.24410.3351	H.24410.3353	H.24410.3354
18	M 8	32	13.5	6.1 +0.05	31.0	6.5	3	45	62	3.6	77	H.24410.3361	H.24410.3363	H.24410.3364
18	M 8	40	13.5	6.1 +0.05	31.0	6.5	3	45	62	3.6	79	H.24410.3371	H.24410.3373	H.24410.3374
18	M 8	50	13.5	6.1 +0.05	31.0	6.5	3	45	62	3.6	82	H.24410.3381	H.24410.3383	H.24410.3384
18	M 8	63	13.5	6.1 +0.05	31.0	6.5	3	45	62	3.6	87	H.24410.3391	H.24410.3393	H.24410.3394
18	M10	20	13.5	7.8 +0.05	31.0	6.5	3	45	62	4.3	126	H.24410.3441	H.24410.3443	H.24410.3444
18	M10	25	13.5	7.8 +0.05	31.0	6.5	3	45	62	4.3	128	H.24410.3451	H.24410.3453	H.24410.3454
18	M10	32	13.5	7.8 +0.05	31.0	6.5	3	45	62	4.3	132	H.24410.3461	H.24410.3463	H.24410.3464
18	M10	40	13.5	7.8 +0.05	31.0	6.5	3	45	62	4.3	136	H.24410.3471	H.24410.3473	H.24410.3474
18	M10	50	13.5	7.8 +0.05	31.0	6.5	3	45	62	4.3	141	H.24410.3481	H.24410.3483	H.24410.3484
18	M10	63	13.5	7.8 +0.05	31.0	6.5	3	45	62	4.3	146	H.24410.3491	H.24410.3493	H.24410.3494