

RAZIOL Roller Lubricators

Oil-mist-free coil lubrication

Product
Portfolio



Raziol
Zibulla & Sohn GmbH

... and everything is running smoothly

Table of Contents

	Page
Roller lubricators, selection and accessories	4
RB M (Roller lubricators, mini)	6
RB M-SW (Roller lubricators, mini-fast-changers)	8
RB M-LC (Roller lubricators, mini low-cost)	10
RB F (Roller lubricators, felted)	12
RB B (Roller lubricators, brush)	14
RB F-SW (Roller lubricators, felted fast-changers)	16
RB FK-SW (Roller lubricators, felted tilting fast-changers)	18
RB BK-SW (Roller lubricators, brush tip-fast-changers)	20
RB FK-P-SW (Roller lubricators, felted tilting pneumatic fast-changers)	22
RB BK-P-SW (Roller lubricators, brush tip-pneumatic fast-changers)	24
RB PF-SW (Roller lubricators, pneumatic felted fast-changers)	26
RB PB-SW (Roller lubricators, pneumatic brush fast-changers)	28
RB SF-SW (Roller lubricators, heavy felted fast-changers)	30
RB SB-SW (Roller lubricators, heavy brush fast-changers)	32
RB TF-P-SW (Roller lubricators, transfer felted pneumatic fast-changers)	34
RB TB-P-SW (Roller lubricators, transfer brush pneumatic fast-changers)	36
RB TSF-SW (Roller lubricators, transfer heavy felted fast-changers)	38
RB TSB-SW (Roller lubricators, transfer heavy brush fast-changers)	40

Table of Contents

	Page
Sector lubrication systems	
SBA TM (Sector Lubrication System Transfer Mini)	42
SBA TF (Sector Lubrication System Transfer Felt)	44
SBA TB (Sector Lubrication System Transfer Brush)	46
SBA TF-P-SW (Sector Lubrication System Transfer Felt Pneumatic Fast Changer)	48
SBA TF-P-SW (Sector Lubrication System Transfer Brush Pneumatic Fast Changer)	50
Felt rollers / brush rollers	52
Spare felt / brushes	53
Dosing control units	54
Telescopic slide-outs	56
Accessories	
HST (stroke control)	58
Brackets (Brackets for roller lubricators)	59
TK (drip chambers)	59

Selection of roller lubricators and accessories

The following information is based on the experiences of our customers of many years.

	RB M	RB M-SW	RB M-LC	RB F / RB B	RB F-SW	RB FK-SW / RB BK-SW	RB FK-P-SW / RB BK-P-SW	RB PF-SW / RB PB-SW	RB SF-SW / RB SB-SW	RB TF-P-SW / RB TB-P-SW	RB TSF-SW / RB TSB-SW
Roller Ø [mm]	32	32	32	60	60	60	60	60	110	60	110
Lubrication widths [mm]	15-300	50-400	50-400	75-450 / 55-430	100-600	100-1300 / 80-580	100-1000 80-430	100-1300 / 80-680	75-1600 / 55-980	75-800 / 55-780	75-1300 / 55-780
WA Upper roller	Fe	Pn	Fe	Fe / Sp	Pn	Fe / Fe	Pn / Pn	Pn / Pn	Pn / Pn	Pn / Pn	Pn / Pn
WA Lower roller										Pn / Pn	Pn / Pn
Stamping	x	x	x	x			x		x		x
Fine blanking	o	o	o						x		x
Deep drawing	o	o	o	x	x	x	x	x	x	x	x
Bending	x	x	x	x					x		x
Cold-rolling				x / --					o / --		x / --
Splitting									o		x
Roll forming	o	o	o	o	x	x	x	x	x	x	x
Blank											x
Coil	x	x	x	x	x	x	x	x	x	x	x
S max [mm]	1.0	1.0	1.0	1.5	1.5	1.0	5.0*1	5.0*1	10.0	5.0*2	10.0
VL max [mm]	100	100	100	180	450	450	450	450	1000	450	1000
Mach. number of strokes* ³ speed, max	fast	fast	fast	150	200	200	200	200	80	200	< 80
Oil viscosity max [mm ² /s]	100	100	100	150 / vis	150	150 / vis	150 / vis	150 / vis	150 / vis	150 / vis	180 / vis
Accessories											
Dosing controller MST-XX(D)	x	x	x	x	x						
Dosing controller EST-XXD	x	x	x	x		x	x	x	x		
Dosing controller EBAD3000 DXX/ VBMV-2		x			x			x	x	x	x
Manual lift control HST		x			x		x	x	x	x	x

WA = Roller positioning
Fe = Spring
Pn = Pneumatic cylinder

Sp = Adjusting spindle
S = Material thickness
VL = feed length

x = well suited
o = conditionally suitable
-- = not suitable (or no marking)

fast = Rotary tool presses
vis = medium to highly viscous

*1 = greater material thickness (3-5 mm) requires a good coil guidance
*2 = up to 5 mm in case of rollers positioned one on top of the other, in case of individual assembly, greater material thicknesses possible
*3 = strokes/min

RB M



Description

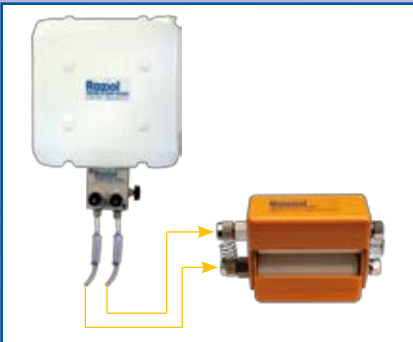
- Oil coating mist-free owing to low-wear felt rollers lubricated from the inside
- the positioning of the upper roller at the coil material is realised by means of tension springs

Technical Data

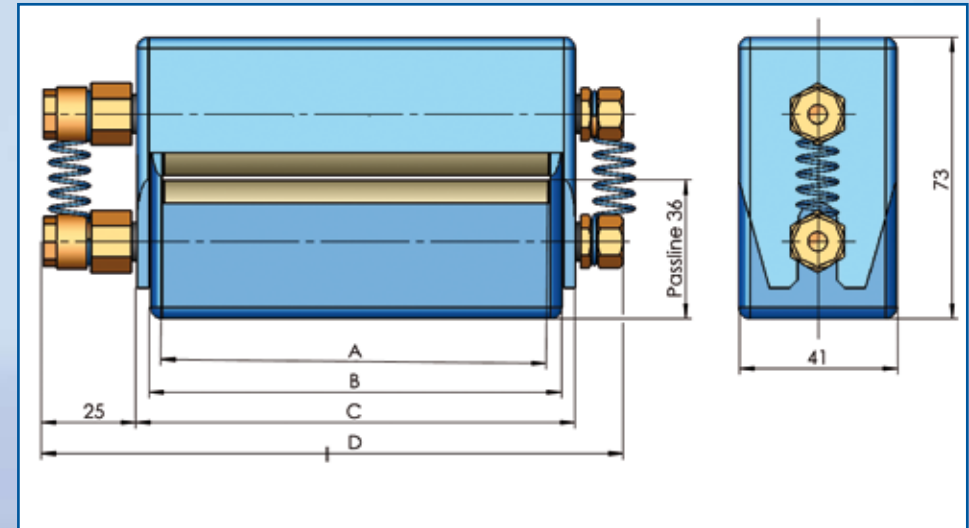
- Roller diameter 32 mm
- max. material thickness 1.0 mm
- max. oil viscosity (40°C) 100 mm²/s
- lubrication width 15 to 300 mm
- the oil must not resinify and not contain any solids
- with oil connection hoses and visual feed control (drip chambers)

Use

- stamping, bending
- with limitation: fine blanking, deep-drawing and roll forming



(RollenBandöler Mini)



		A	B	C	D
Part No.	Name	Lubrication width [mm]	Width Lower part [mm]	Width of upper part [mm]	Space requirement [mm]
1010100015	RB M 015	15	37	42	150
1010100020	RB M 020	20	37	42	150
1010100030	RB M 030	30	37	42	150
1010100050	RB M 050	50	57	62	170
1010100075	RB M 075	75	82	87	200
1010100100	RB M 100	100	107	112	220
1010100150	RB M 150	150	157	162	270
1010100200	RB M 200	200	207	212	320
1010100250	RB M 250	250	257	262	370
1010100300	RB M 300	300	307	312	420

RB M-SW



Description

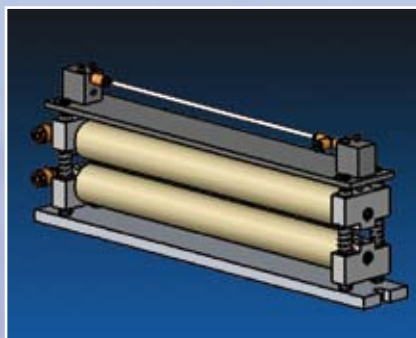
- Oil coating mist-free owing to low-wear, inside-lubricated felt rollers
- Positioning of the upper roller at the material by means of pneumatic cylinder
- The roller sets are fixed spring-loaded on guides
- Roller changing without tools

Technical Data

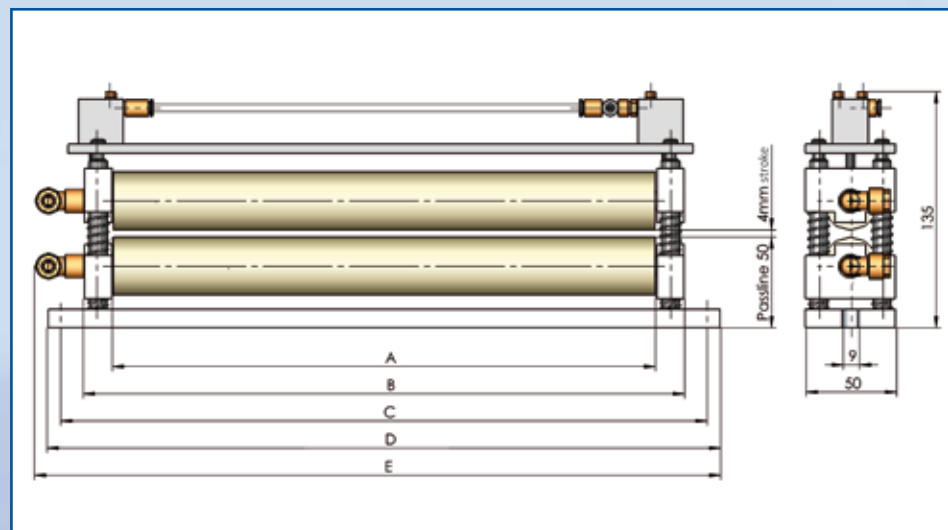
- Roller diameter 32 mm
- max. material thickness 1.0 mm
- max. oil viscosity (40°C) 100 mm²/s
- Lubrication width 50 to 400 mm
- the oil must not resinify and not contain any solids
- with oil connection hoses and visual feed control (drip chambers)
- with in-built roller changing kit
- from 300 mm lubrication width onwards with oil connection on both sides

Use

- stamping, bending
- with limitation: fine blanking, deep-drawing and roll forming



(RollenBandöler Mini-SchnellWechsler)



		A	B	C	D	E
Part No.	Name	Lubrication width [mm]	Housing width [mm]	Fastening size [mm]	Base-plate width [mm]	Total width [mm]
1015100050	RB M-SW 050	50	82	107	122	130
1015100075	RB M-SW 075	75	107	132	147	155
1015100100	RB M-SW 100	100	132	157	172	180
1015100150	RB M-SW 150	150	182	207	222	230
1015100200	RB M-SW 200	200	232	257	272	280
1015100250	RB M-SW 250	250	282	307	322	330
1015100300	RB M-SW 300	300	332	357	372	380
1015100400	RB M-SW 400	400	432	457	472	480

RB M-LC

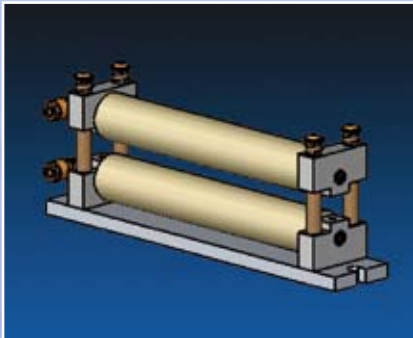


Description

- Oil coating mist-free owing to low-wear, inside-lubricated felt rollers
- The roller sets are fixed spring-loaded on guides
- Roller changing without tools

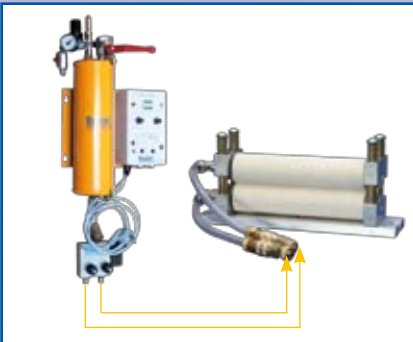
Technical Data

- Roller diameter 32 mm
- max. material thickness 1.0 mm
- max. oil viscosity (40°C) 100 mm²/s
- lubrication width 50 to 400 mm
- the oil must not resinify and not contain any solids
- with oil connection hoses and visual feed control (drip chambers)
- with in-built roller changing kit
- from 300 mm lubrication width with oil connection on both sides

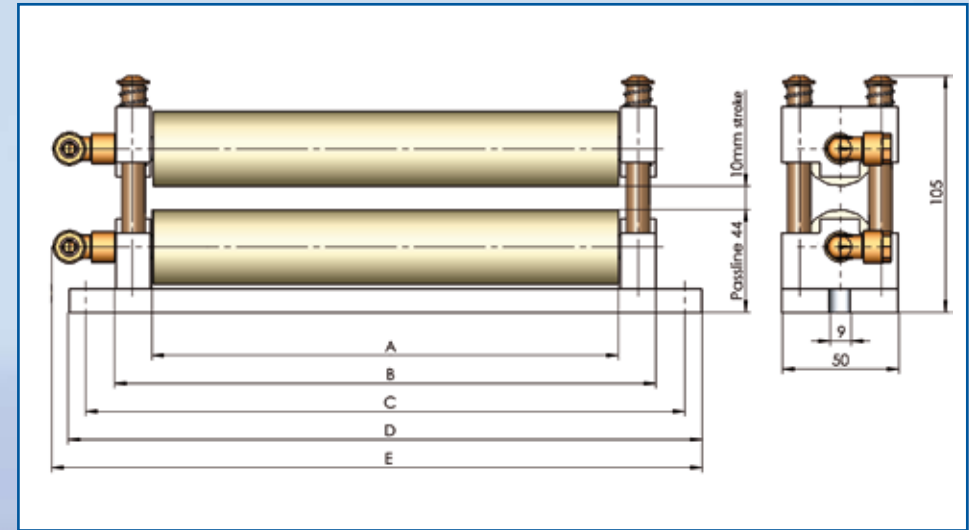


Use

- stamping, bending
- with limitation: fine blanking, deep-drawing and roll forming



(RollenBandöler Mini-LowCost)



		A	B	C	D	E
Part No.	Name	Lubrication width [mm]	Housing width [mm]	Fastening size [mm]	Base-plate width [mm]	Total width [mm]
1015120050	RB M-LC 050	50	82	107	122	130
1015120075	RB M-LC 075	75	107	132	147	155
1015120100	RB M-LC 100	100	132	157	172	180
1015120150	RB M-LC 150	150	182	207	222	230
1015120200	RB M-LC 200	200	232	257	272	280
1015120250	RB M-LC 250	250	282	307	322	330
1015120300	RB M-LC 300	300	332	357	372	380
1015120400	RB M-LC 400	400	432	457	472	480

RB F



Description

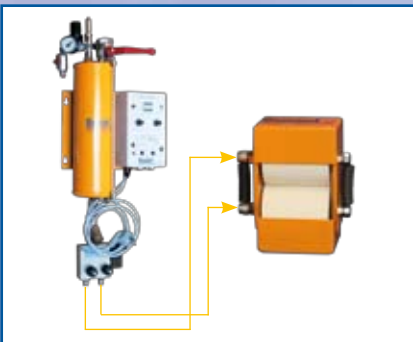
- Oil coating mist-free owing to low-wear, inside-lubricated felt rollers
- Roller positioning by means of tension springs

Technical Data

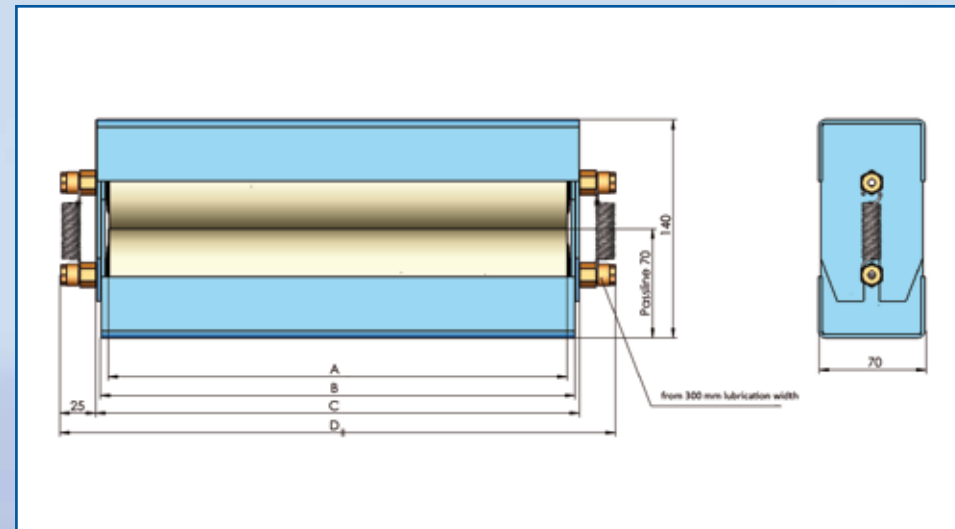
- Roller diameter 60 mm
- max. material thickness 1.5 mm
- max. oil viscosity (40°C) 150 mm²/s
- lubrication width 75 to 450 mm
- the oil must not resinify and not contain any solids
- with oil connection hoses and visual feed control (drip chambers)
- up to lubrication width 225 mm one-side oil connection
- from lubrication width 300 mm onwards, two-sided oil connection

Use

- stamping, bending, deep-drawing, cold-rolling
- with limitation: Roll forming



(RollenBandöler Filz)



		A	B	C	D
Part No.	Name	Lubrication width [mm]	Width of lower part [mm]	Width of upper part [mm]	Space requirement [mm]
1012100075	RB F 075	75	85	91	200
1012100150	RB F 150	150	160	166	275
1012100225	RB F 225	225	235	241	350
1012100300	RB F 300	300	310	316	425
1012100350	RB F 350	350	360	366	475
1012100450	RB F 450	450	460	466	575

RB B



Description

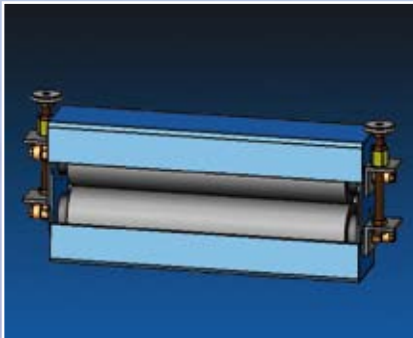
- Oil coating mist-free owing to low-wear, inside-lubricated brush rollers
- Roller positioning by means of threaded spindles

Technical Data

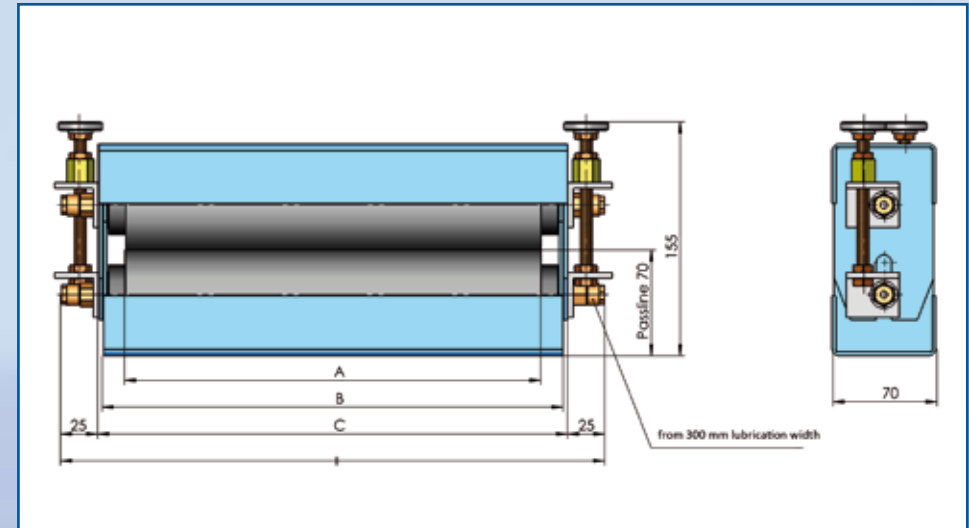
- Roller diameter 60 mm
- max. material thickness 1.5 mm
- max. oil viscosity (40°C) medium to high viscosity
- lubrication width 55 to 430 mm
- the oil must not resinify and not contain any solids
- with oil connection hoses and visual feed control (drip chambers)
- from 300 mm lubrication width onwards, oil connection on both sides

Use

- stamping, bending, deep-drawing
- with limitation: roll forming



(RollenBandöler Bürste)



		A	B	C	D
Part No.	Name	Lubrication width [mm]	Width of lower part [mm]	Width of upper part [mm]	Space requirement [mm]
1012200055	RB B 055	55	85	91	200
1012200130	RB B 130	130	160	166	275
1012200205	RB B 205	205	235	241	350
1012200280	RB B 280	280	310	316	425
1012200330	RB B 330	330	360	366	475
1012200430	RB B 430	430	460	466	575

RB F-SW



Description

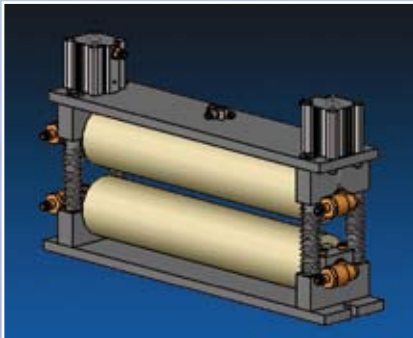
- Oil coating mist-free owing to low-wear, inside-lubricated felt rollers
- Roller positioning by means of pneumatic cylinder

Technical Data

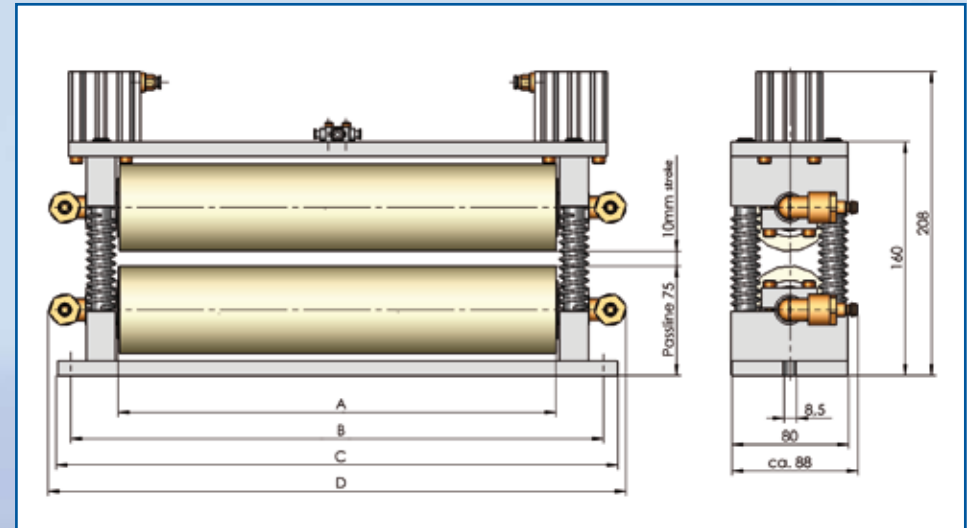
- Roller diameter 60 mm
- max. material thickness 1.5 mm
- max. oil viscosity (40°C) 150 mm²/s
- lubrication width 100 to 600 mm
- the oil must not resinify and not contain any solids
- with oil connection hoses and visual feed control (drip chambers)
- from 300 mm lubrication width onwards with both-sided oil connection
- **Felt roller fast-changing sets** are completely installed and comprise:
axle, roller, bearing, felt, head plate, washer disc and threaded joints

Use

- Deep-drawing, roll forming



(RollenBandöler Filz-SchnellWechsler)



		A	B	C	D
Part No.	Name	Lubrication width [mm]	Fastening width [mm]	Width of lower part [mm]	Total width [mm]
1019100100	RB F-SW 100	100	165	185	196
1019100150	RB F-SW 150	150	215	235	246
1019100200	RB F-SW 200	200	265	285	296
1019100250	RB F-SW 250	250	315	335	346
1019100300	RB F-SW 300	300	365	385	396
1019100350	RB F-SW 350	350	415	435	446
1019100400	RB F-SW 400	400	465	485	496
1019100450	RB F-SW 450	450	515	535	546
1019100500	RB F-SW 500	500	565	585	596
1019100600	RB F-SW 600	600	665	685	696

RB FK-SW



Description

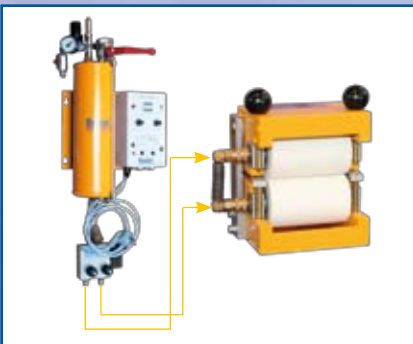
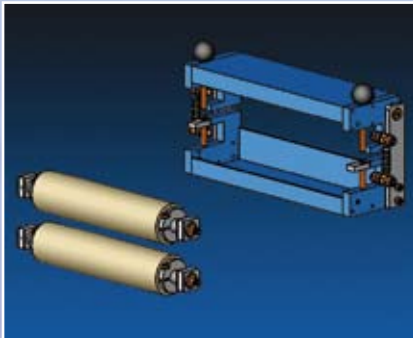
- Oil coating mist-free owing to low-wear, inside-lubricated felt rollers
- Roller positioning by means of tension spring, with tilting device

Technical Data

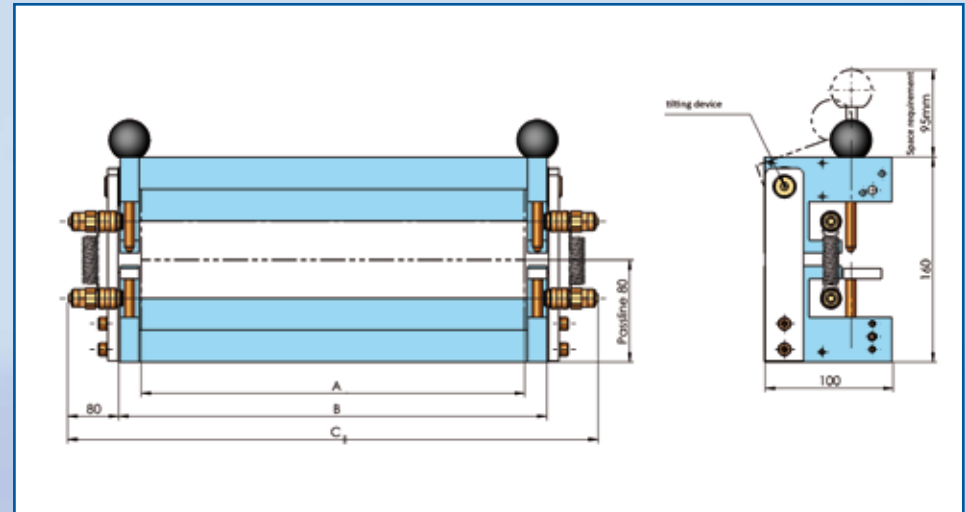
- Roller diameter 60 mm
- max. material thickness 1.0 mm
- max. oil viscosity (40°C) 150 mm²/s
- lubrication width 100 to 1300 mm
- the oil must not resinify and not contain any solids
- with oil connection hoses and visual feed control (drip chambers)
- with in-built substitute set
- from 300 mm lubrication width onwards with oil connection on both sides
- Felt roller fast-changing sets are completely installed and comprise:
axle, roller, bearing, felt, head plate, washer disc and threaded joints

Use

- Deep-drawing, roll forming



(RollenBandöler FilzKipp-SchnellWechsler)



		A	B	C
Part No.	Name	Lubrication width [mm]	Cabinet width [mm]	Space requirement [mm]
1012190100	RB FK-SW 0100	100	135	355
1012190150	RB FK-SW 0150	150	185	405
1012190200	RB FK-SW 0200	200	235	455
1012190250	RB FK-SW 0250	250	285	505
1012190300	RB FK-SW 0300	300	335	555
1012190350	RB FK-SW 0350	350	385	605
1012190400	RB FK-SW 0400	400	435	655
1012190450	RB FK-SW 0450	450	485	705
1012190500	RB FK-SW 0500	500	535	755
1012190600	RB FK-SW 0600	600	635	855
1012190700	RB FK-SW 0700	700	735	955
1012190800	RB FK-SW 0700	800	835	1055
1012190900	RB FK-SW 0900	900	935	1155
1012191000	RB FK-SW 1000	1000	1035	1255
1012191300	RB FK-SW 1300	1300	1335	1555

RB BK-SW



Description

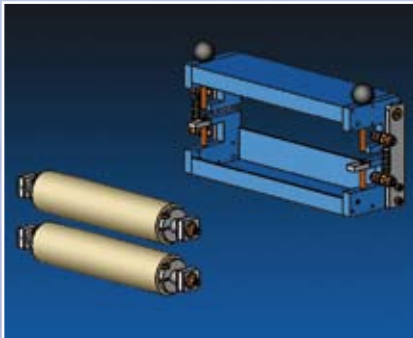
- Oil coating mist-free owing to low-wear, inside-lubricated brush rollers
- Roller positioning by means of tension spring, with tilting device
- The roller sets are fixed with pins in the housing
- The roller changing takes place without a press (tool)

Technical Data

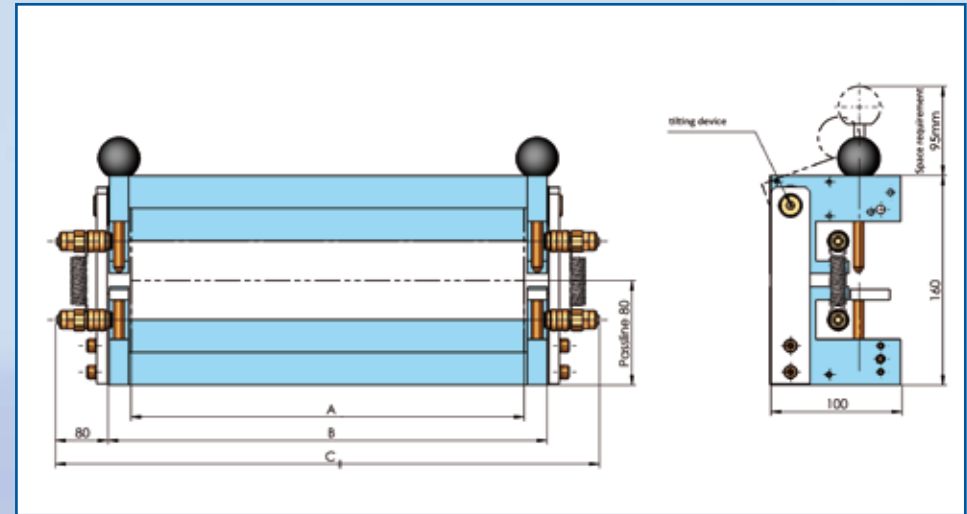
- Roller diameter 60 mm
- max. material thickness 1.0 mm
- max. oil viscosity (40°C) medium to high viscosity
- lubrication width 80 to 580 mm
- the oil must not resinify and not contain any solids
- with oil connection hoses and visual feed control (drip chambers)
- with in-built substitute set
- from 300 mm lubrication width, both sides oil connection
- Brush roller fast-changing sets are completely installed and comprise:
axle, brush and threaded joints

Use

- Deep-drawing, roll forming

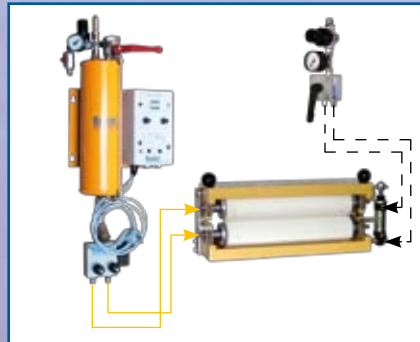
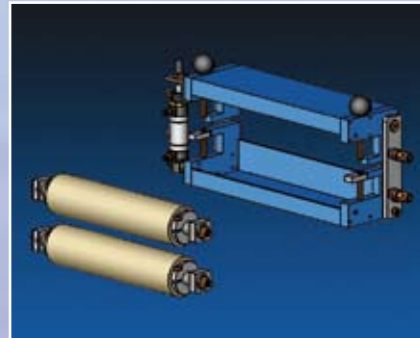


(RollenBandöler BürsteKipp-SchnellWechsler)



		A	B	C
Part No.	Name	Lubrication width [mm]	Cabinet width [mm]	Space requirement [mm]
1012290080	RB BK-SW 080	80	135	355
1012290130	RB BK-SW 130	130	185	405
1012290180	RB BK-SW 180	180	235	455
1012290230	RB BK-SW 230	230	285	505
1012290280	RB BK-SW 280	280	335	555
1012290330	RB BK-SW 330	330	385	605
1012290380	RB BK-SW 380	380	435	655
1012290430	RB BK-SW 430	430	485	705
1012290580	RB BK-SW 580	580	635	855

RB FK-P-SW



Description

- Oil coating mist-free owing to low-wear, inside-lubricated felt rollers
- Positioning of the upper roller at the material by means of pneumatic cylinder, stroke height approx. 10 mm, with swivelling device
- The roller sets are fixed with pins in the housing
- The roller changing takes place without a press (tool)

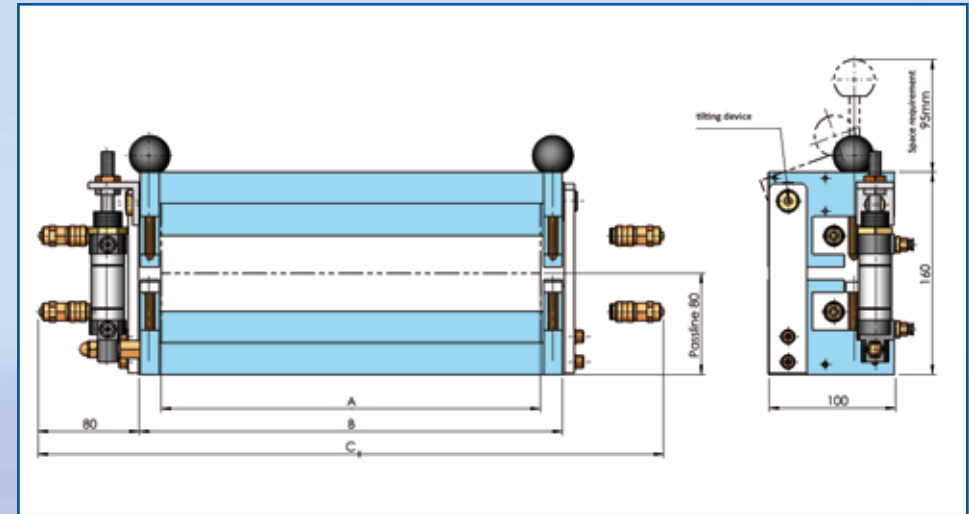
Technical Data

- Roller diameter 60 mm
- max. material thickness 1.0 mm
- max. oil viscosity (40°C) 150 mm²/s
- lubrication width 100 to 1000 mm
- the oil must not resinify and not contain any solids
- with oil connection hoses and visual feed control (drip chambers)
- with in-built substitute set
- from 300 mm lubrication width, with both sided oil connection
- Felt roller fast-changing sets are completely installed and comprise:
axle, roller, bearing, felt, head plate, washer disc and threaded joints

Use

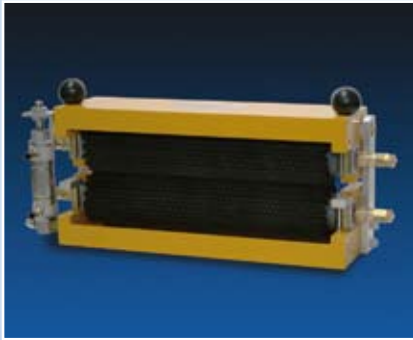
- stamping, deep-drawing, roll forming

(RollenBandöler FilzKipp-Pneumatik-SchnellWechsler)



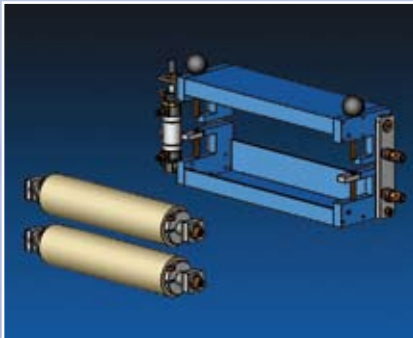
Part No.	Name	A Lubrication width [mm]	B Cabinet width [mm]	C Space requirement [mm]
1012180100	RB FK-P-SW 0100	100	135	355
1012180150	RB FK-P-SW 0150	150	185	405
1012180200	RB FK-P-SW 0200	200	235	455
1012180250	RB FK-P-SW 0250	250	285	505
1012180300	RB FK-P-SW 0300	300	335	555
1012180350	RB FK-P-SW 0350	350	385	605
1012180400	RB FK-P-SW 0400	400	435	655
1012180450	RB FK-P-SW 0450	450	485	705
1012180500	RB FK-P-SW 0500	500	535	755
1012180600	RB FK-P-SW 0600	600	635	855
1012180700	RB FK-P-SW 0700	700	735	955
1012180800	RB FK-P-SW 0700	800	835	1055
1012180900	RB FK-P-SW 0900	900	935	1155
1012181000	RB FK-P-SW 1000	1000	1035	1255

RB BK-P-SW (RollenBandöler BürsteKipp-Pneumatik-SchnellWechsler)



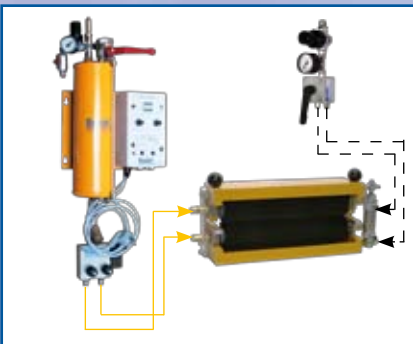
Description

- Oil coating mist-free owing to low-wear, inside-lubricated brush rollers
- Positioning of the upper roller at the material by means of pneumatic cylinder, stroke height approx. 10 mm, with swivelling device
- The roller sets are fixed with pins in the housing
- The roller changing takes place without a press (tool)



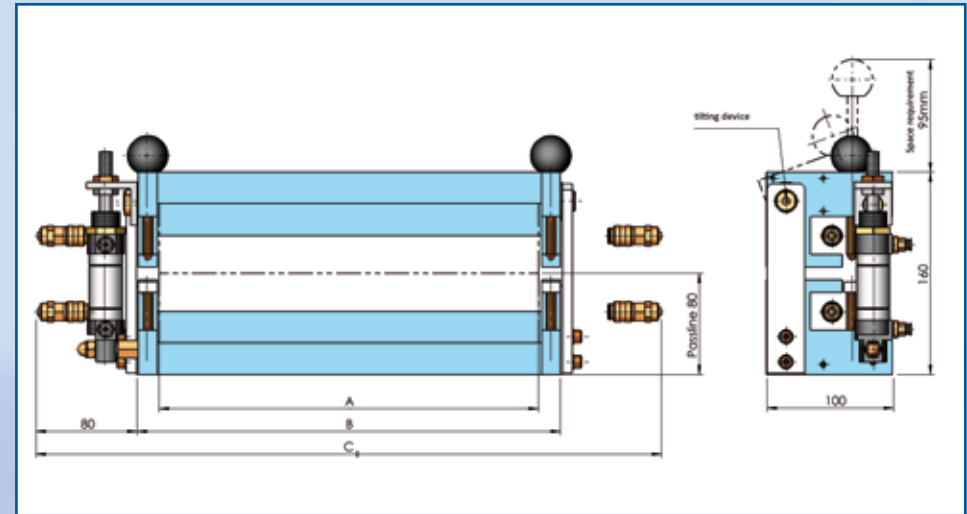
Technical Data

- Roller diameter 60 mm
- max. material thickness 1.0 mm
- max. oil viscosity (40°C) medium to high viscosity
- lubrication width 80 to 430 mm
- the oil must not resinify and not contain any solids
- with oil connection hoses and visual feed control (drip chambers)
- with in-built substitute set
- from 300 mm lubrication width, with both sided oil connection
- Brush roller fast-changing sets are completely installed and comprise:
axle, brush and threaded joints



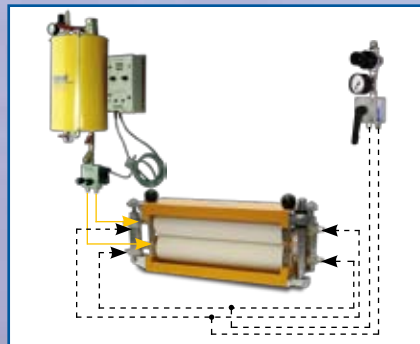
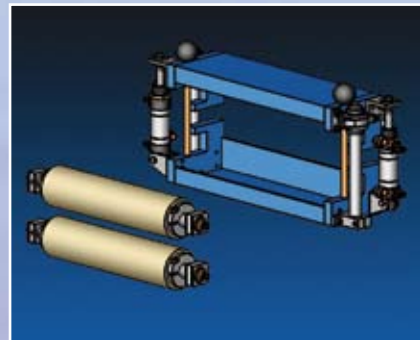
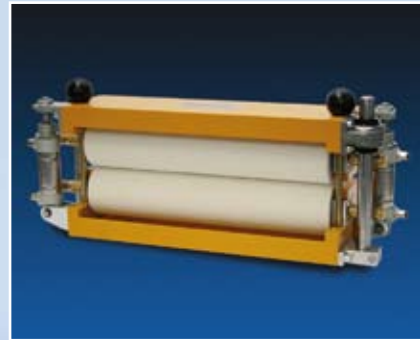
Use

- Deep drawing, roll forming, stamping



		A	B	C
Part No.	Name	Lubrication width [mm]	Cabinet width [mm]	Space requirement [mm]
1012280080	RB BK-P-SW 0080	80	135	355
1012280130	RB BK-P-SW 0130	130	185	405
1012280180	RB BK-P-SW 0180	180	235	455
1012280230	RB BK-P-SW 0230	230	285	505
1012280280	RB BK-P-SW 0280	280	335	555
1012280330	RB BK-P-SW 0330	330	385	605
1012280380	RB BK-P-SW 0380	380	435	655
1012280430	RB BK-P-SW 0430	430	485	705

RB PF-SW



Description

- Oil coating mist-free owing to low-wear, inside-lubricated felt rollers
- Positioning of the upper roller at the material by means of pneumatic cylinder, stroke height approx. 15 mm
- The roller sets are fixed with pins in the housing
- The roller changing takes place without a press (tool)

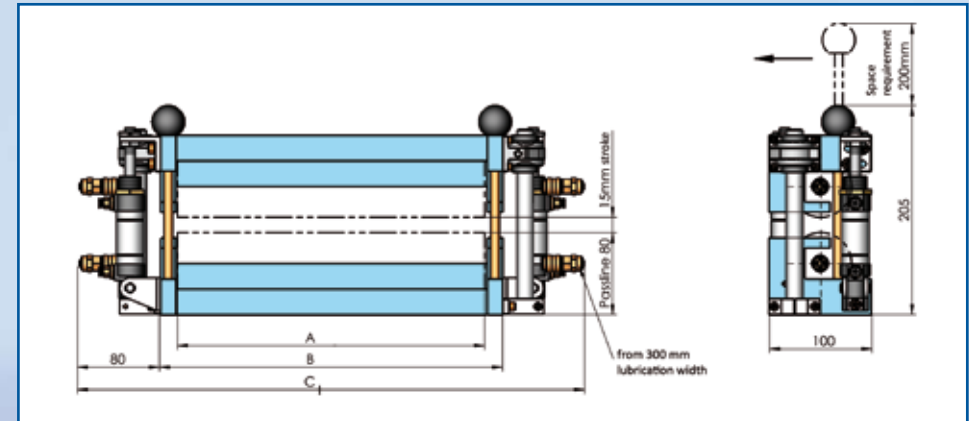
Technical Data

- Roller diameter 60 mm
- max. material thickness 1.0 mm
- max. oil viscosity (40°C) 150 mm²/s
- lubrication width 100 to 1300 mm
- the oil must not resinify and not contain any solids
- with oil connection hoses and visual feed control (drip chambers)
- with in-built substitute set
- from 300 mm lubrication width, with both sided oil connection
- Felt roller fast-changing sets are completely installed and comprise:
axle, roller, bearing, felt, head plate, washer disc and threaded joints

Use

- Deep-drawing, roll forming

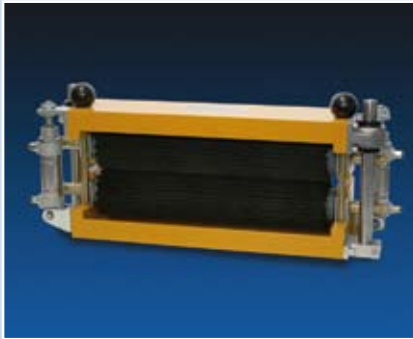
(RollenBandöler PneumatikFilz-SchnellWechsler)



		A	B	C
Part No.	Name	Lubrication width [mm]	Cabinet width [mm]	Space requirement [mm]
1018100100	RB PF-SW 0100	100	135	356
1018100150	RB PF-SW 0150	150	185	406
1018100200	RB PF-SW 0200	200	235	456
1018100250	RB PF-SW 0250	250	285	506
1018100300	RB PF-SW 0300	300	335	556
1018100350	RB PF-SW 0350	350	385	606
1018100400	RB PF-SW 0400	400	435	656
1018100450	RB PF-SW 0450	450	485	706
1018100500	RB PF-SW 0500	500	535	756
1018100600	RB PF-SW 0600	600	635	856
1018100700	RB PF-SW 0700	700	735	956
1018100800	RB PF-SW 0800	800	835	1056
1018100900	RB PF-SW 0900	900	935	1156
1018101000	RB PF-SW 1000	1000	1035	1256
1018101100	RB PF-SW 1100	1100	1135	1356
1018101200	RB PF-SW 1200	1200	1235	1456
1018101300	RB PF-SW 1300	1300	1335	1556

RB PB-SW

(RollenBandöler PneumatikBürste-SchnellWechsler)



Description

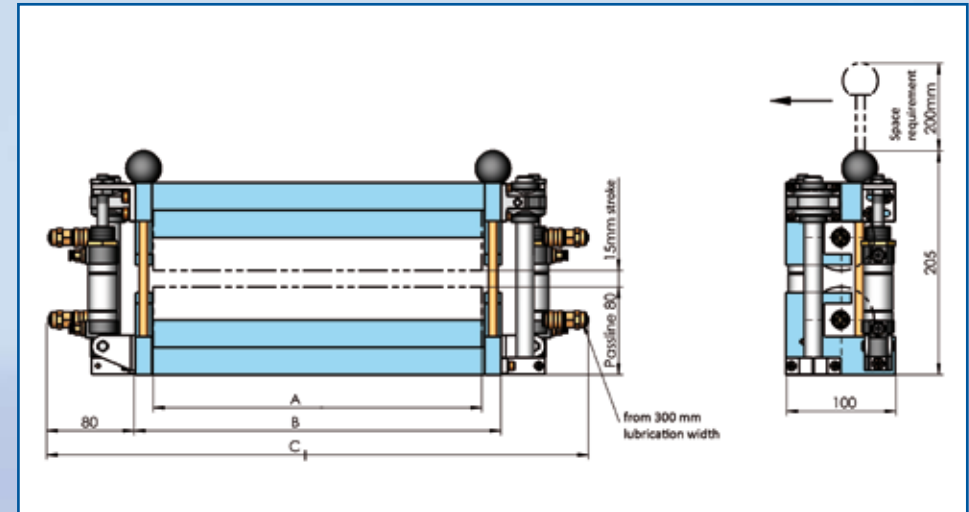
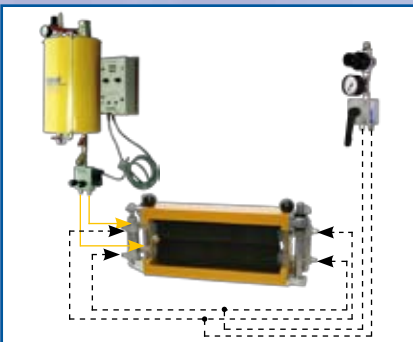
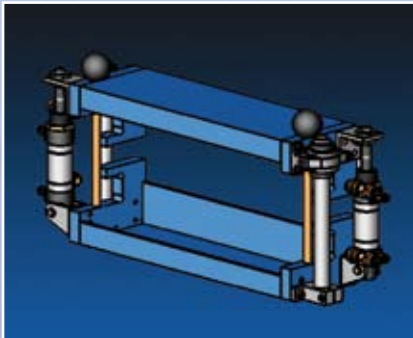
- Oil coating mist-free owing to low-wear, inside-lubricated brush rollers
- Positioning of the upper roller at the material by means of pneumatic cylinder, stroke height approx. 15 mm
- The roller sets are fixed with pins in the housing
- The roller changing takes place without a press (tool)

Technical Data

- Roller diameter 60 mm
- max. material thickness 1.0 mm
- max. oil viscosity (40°C) medium to high viscosity
- lubrication width 80 to 680 mm
- the oil must not resinify and not contain any solids
- with oil connection hoses and visual feed control (drip chambers)
- with in-built substitute set
- from 300 mm lubrication width, with both sided oil connection
- Brush roller fast-changing sets are completely installed and comprise:
axle, brush and threaded joints

Use

- Deep-drawing, roll forming



		A	B	C
Part No.	Name	Lubrication width [mm]	Cabinet width [mm]	Space requirement [mm]
1018200080	RB PB-SW 080	80	135	356
1018200130	RB PB-SW 130	130	185	406
1018200180	RB PB-SW 180	180	235	456
1018200230	RB PB-SW 230	230	285	506
1018200280	RB PB-SW 280	280	335	556
1018200330	RB PB-SW 330	330	385	606
1018200380	RB PB-SW 380	380	435	656
1018200430	RB PB-SW 430	430	485	706
1018200580	RB PB-SW 580	580	635	856
1018200680	RB PB-SW 680	680	735	956

RB SF-SW



Description

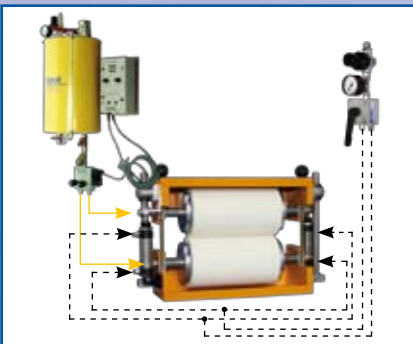
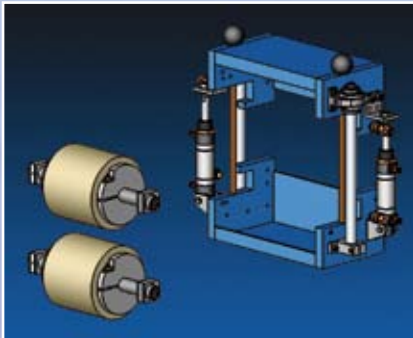
- Oil coating mist-free owing to low-wear, inside-lubricated felt rollers
- Positioning of the upper roller at the material by means of pneumatic cylinder, stroke height approx. 25 mm
- The roller sets are fixed with pins in the housing
- The roller changing takes place without a press (tool)

Technical Data

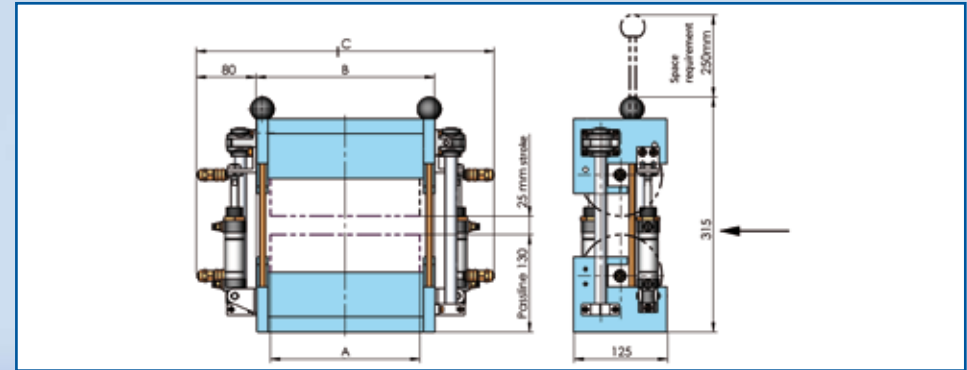
- Roller diameter 110 mm
- max. material thickness 10.0 mm
- max. oil viscosity (40°C) 200 mm²/s
- lubrication width 75 to 1600 mm
- the oil must not resinify and not contain any solids
- with oil connection hoses and visual feed control (drip chambers)
- with in-built substitute set
- from 300 mm lubrication width, with both sided oil connection
- Felt roller fast-changing sets are completely installed and comprise:
 axle, roller, bearing, felt, head plate, washer disc and threaded joints

Use

- stamping, fine-blanking, deep-drawing, bending, roll forming
- With restriction cold-rolling, splitting

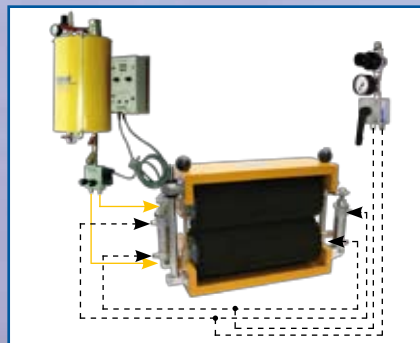
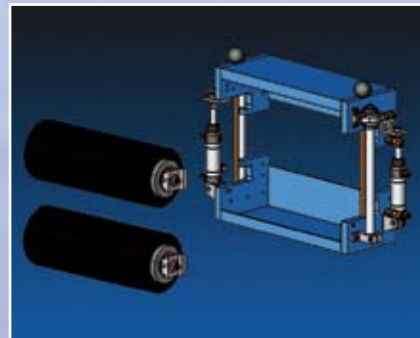
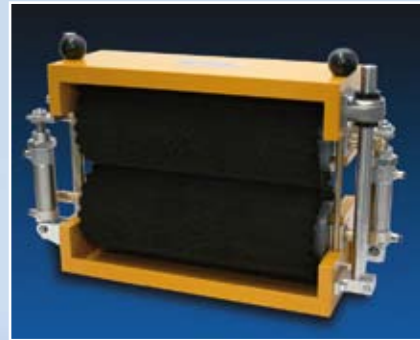


(RollenBandöler SchwerFilz-SchnellWechsler)



Part No.	Name	A Lubrication width [mm]	B Cabinet width [mm]	C Space requirement [mm]
1013100075	RB SF-SW 0075	75	114	335
1013100100	RB SF-SW 0100	100	139	360
1013100150	RB SF-SW 0150	150	189	410
1013100200	RB SF-SW 0200	200	239	460
1013100250	RB SF-SW 0250	250	289	510
1013100300	RB SF-SW 0300	300	339	560
1013100350	RB SF-SW 0350	350	389	610
1013100400	RB SF-SW 0400	400	439	660
1013100450	RB SF-SW 0450	450	489	710
1013100500	RB SF-SW 0500	500	539	760
1013100600	RB SF-SW 0600	600	639	860
1013100700	RB SF-SW 0700	700	739	960
1013100800	RB SF-SW 0800	800	839	1060
1013100900	RB SF-SW 0900	900	939	1160
1013101000	RB SF-SW 1000	1000	1039	1260
1013101100	RB SF-SW 1100	1100	1139	1360
1013101200	RB SF-SW 1200	1200	1239	1460
1013101300	RB SF-SW 1300	1300	1339	1560
1013101500	RB SF-SW 1500	1500	1539	1760
1013101600	RB SF-SW 1600	1600	1639	1860

RB SB-SW



Description

- Oil coating mist-free owing to low-wear, inside-lubricated brush rollers
- Positioning of the upper roller at the material by means of pneumatic cylinder, stroke height approx. 25 mm
- The roller sets are fixed with pins in the housing
- The roller changing takes place without a press (tool)

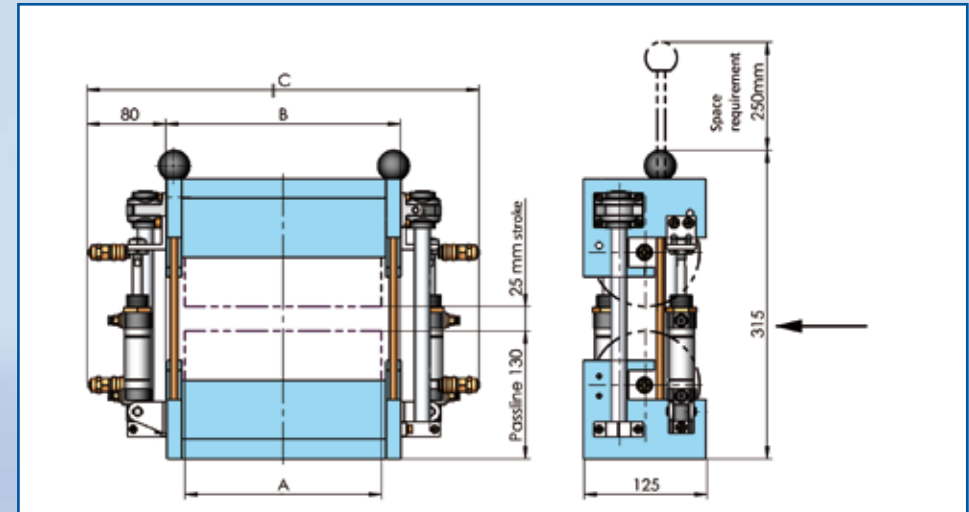
Technical Data

- Roller diameter 110 mm
- max. material thickness 10 mm
- max. oil viscosity (40°C) medium to high viscosity
- lubrication width 55 to 980 mm
- the oil must not resinify and not contain any solids
- with oil connection hoses and visual feed control (drip chambers)
- with in-built substitute set
- from 300 mm lubrication width, with both sided oil connection
- Brush roller fast-changing sets are completely installed and comprise:
axle, brush and threaded joints

Use

- stamping, fine-blanking, deep-drawing, bending, roll forming

(RollenBandöler Schwerbürste-SchnellWechsler)



Part No.	Name	A Lubrication width [mm]	B Cabinet width [mm]	C Space requirement [mm]
1013200055	RB SB-SW 055	55	114	335
1013200080	RB SB-SW 080	80	139	360
1013200130	RB SB-SW 130	130	189	410
1013200180	RB SB-SW 180	180	239	460
1013200230	RB SB-SW 230	230	289	510
1013200280	RB SB-SW 280	280	339	560
1013200330	RB SB-SW 330	330	389	610
1013200380	RB SB-SW 380	380	439	660
1013200430	RB SB-SW 430	430	489	710
1013200580	RB SB-SW 580	580	639	860
1013200680	RB SB-SW 680	680	739	960
1013200780	RB SB-SW 780	780	839	1060
1013200880	RB SB-SW 880	880	939	1160
1013200980	RB SB-SW 980	980	1039	1260

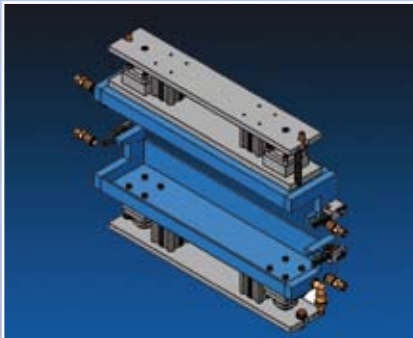
RB TF-P-SW

(RollenBandöler TransferFilz-Pneumatik-SchnellWechsler)



Description

- Oil coating mist-free owing to low-wear, inside-lubricated felt rollers
- Positioning of the upper roller at the material by means of pneumatic cylinder, stroke height approx. 25 mm
- The roller sets are fixed with snap catches in the housing
- The roller changing takes place without a press (tool)

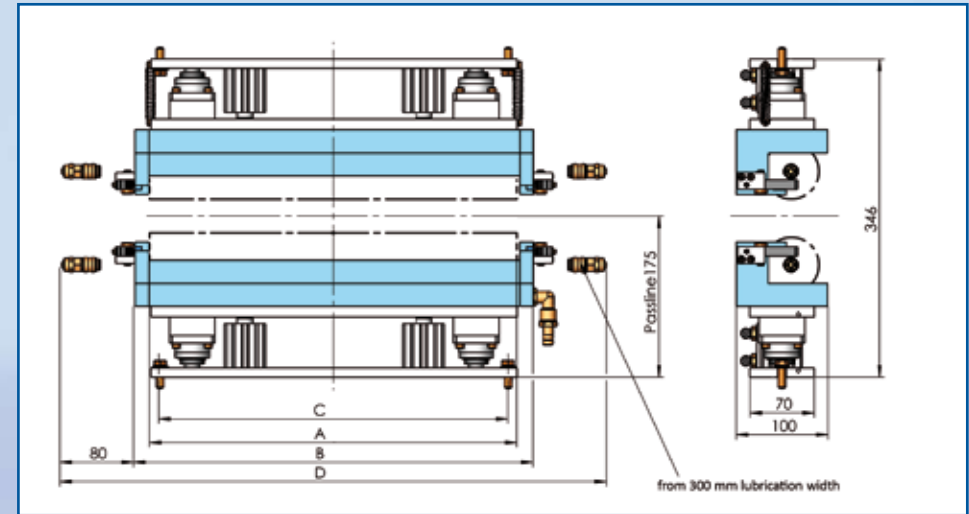
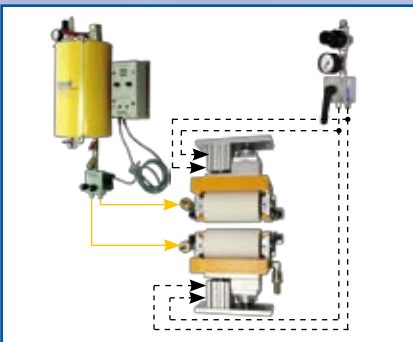


Technical Data

- Roller diameter 60 mm
- max. material thickness 1.0 mm
- max. oil viscosity (40°C) 150 mm²/s
- lubrication width 75 to 800 mm
- the oil must not resinify and not contain any solids
- with oil connection hoses and visual feed control (drip chambers)
- with in-built substitute set
- from 300 mm lubrication width, with both sided oil connection
- Felt roller fast-changing sets are completely installed and comprise:
axle, roller, bearing, felt, head plate, washer disc and threaded joints

Use

- Deep-drawing, roll forming



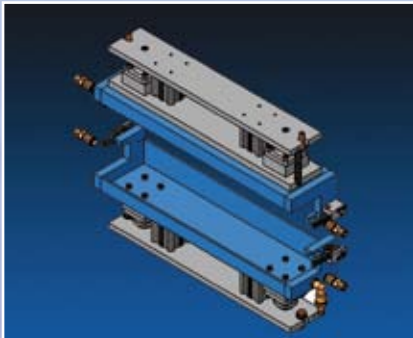
		A	B	C	D
Part No.	Name	Lubrication width [mm]	Cabinet width [mm]	Fastening size [mm]	Space requirement [mm]
1022100075	RB TF-P-SW 075	75	110	120	330
1022100100	RB TF-P-SW 100	100	135	120	355
1022100150	RB TF-P-SW 150	150	185	120	405
1022100200	RB TF-P-SW 200	200	235	205	455
1022100250	RB TF-P-SW 250	250	285	205	505
1022100300	RB TF-P-SW 300	300	335	205	555
1022100350	RB TF-P-SW 350	350	385	205	605
1022100400	RB TF-P-SW 400	400	435	380	655
1022100450	RB TF-P-SW 450	450	485	380	705
1022100500	RB TF-P-SW 500	500	535	380	755
1022100600	RB TF-P-SW 600	600	635	537	855
1022100700	RB TF-P-SW 700	700	735	537	955
1022100800	RB TF-P-SW 800	800	835	537	1055

RB TB-P-SW (RollenBandöler TransferBürste-Pneumatik-SchnellWechsler)



Description

- Oil coating mist-free owing to low-wear, inside-lubricated brush rollers
- Positioning of the upper roller at the material by means of pneumatic cylinder, stroke height approx. 25 mm
- The roller sets are fixed with snap catches in the housing
- The roller changing takes place without a press (tool)

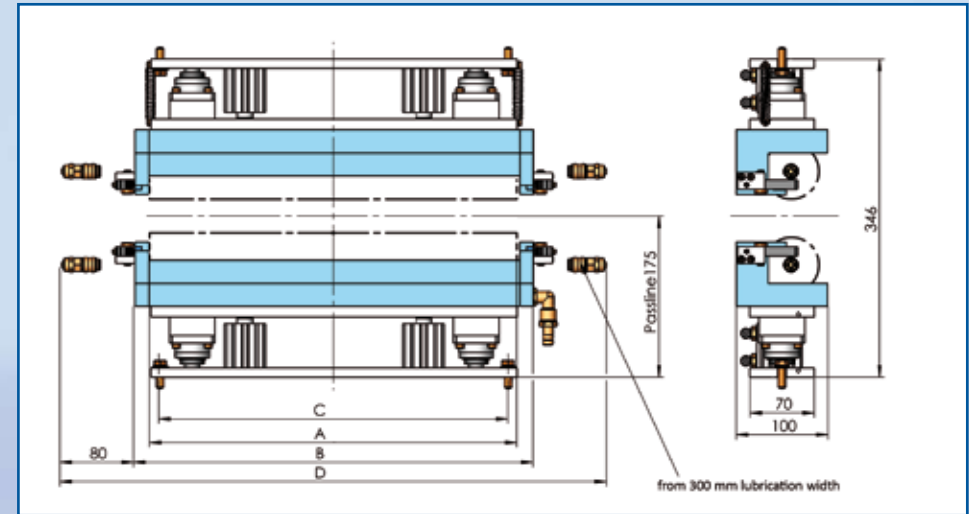
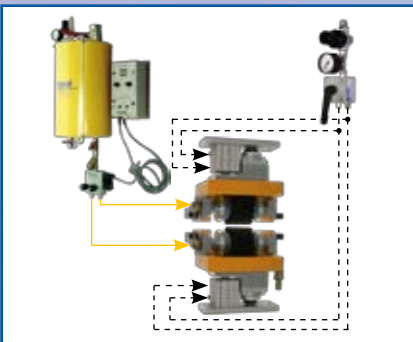


Technical Data

- Roller diameter 60 mm
- max. material thickness 1.0 mm
- max. oil viscosity (40°C) medium to high viscosity
- lubrication width 55 to 780 mm
- the oil must not resinify and not contain any solids
- with oil connection hoses and visual feed control (drip chambers)
- with in-built substitute set
- from 300 mm lubrication width, with both sided oil connection
- Brush roller fast-changing sets are completely installed and comprise:
axle, brush and threaded joints

Use

- Deep-drawing, roll forming

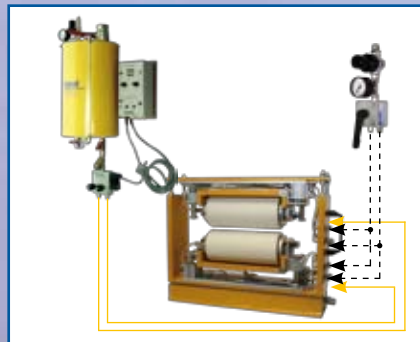
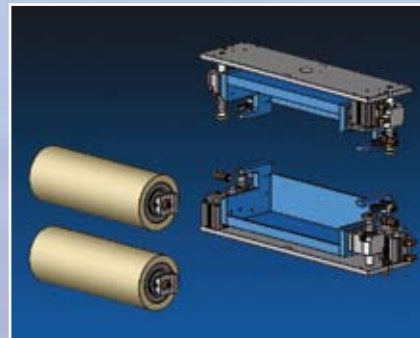


		A	B	C	D
Part No.	Name	Lubrication width [mm]	Cabinet width [mm]	Fastening size [mm]	Space requirement [mm]
1022200055	RB TB-P-SW 055	55	110	120	330
1022200080	RB TB-P-SW 080	80	135	120	355
1022200130	RB TB-P-SW 130	130	185	120	405
1022200180	RB TB-P-SW 180	180	235	205	455
1022200230	RB TB-P-SW 230	230	285	205	505
1022200280	RB TB-P-SW 280	280	335	205	555
1022200330	RB TB-P-SW 330	330	385	205	605
1022200380	RB TB-P-SW 380	380	435	380	655
1022200430	RB TB-P-SW 430	430	485	380	705
1022200480	RB TB-P-SW 480	480	535	380	755
1022200580	RB TB-P-SW 580	580	635	537	855
1022200680	RB TB-P-SW 680	680	735	537	955
1022200780	RB TB-P-SW 780	780	835	537	1055

RB TSF-SW



Figure RB TSF-SW in frame



Description

- Oil coating mist-free owing to low-wear, inside-lubricated felt rollers
- Positioning of the upper roller at the material by means of pneumatic cylinder, stroke height approx. 25 mm
- The roller sets are fixed with snap catches in the housing
- The roller changing takes place without a press (tool)

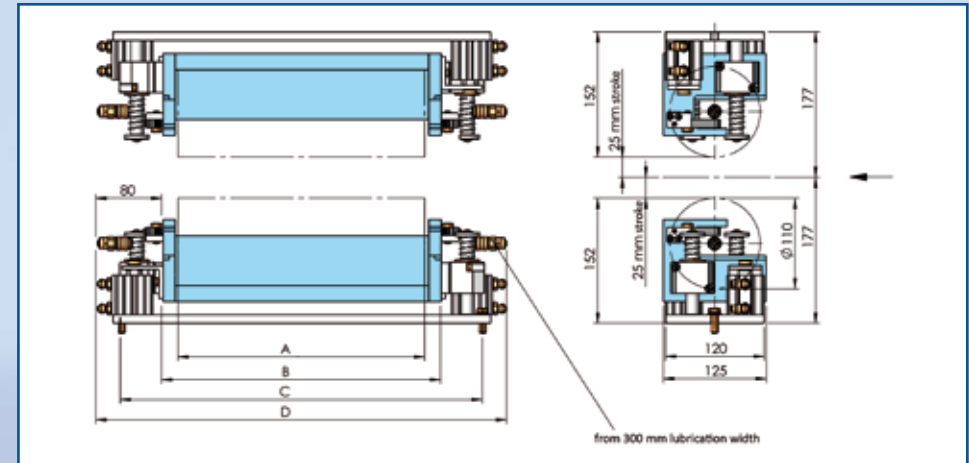
Technical Data

- Roller diameter 110 mm
- max. material thickness 10.0 mm
- max. oil viscosity (40°C) 180 mm²/s
- lubrication width 75 to 1300 mm
- the oil must not resinify and not contain any solids
- with oil connection hoses and visual feed control (drip chambers)
- with in-built substitute set
- from 300 mm lubrication width, with both sided oil connection
- Felt roller fast-changing sets are completely installed and comprise:
axle, roller, bearing, felt, head plate, washer disc and threaded joints

Use

- stamping, fine-blanking, deep-drawing, bending, cold-rolling, roll-forming, splitting

(RollenBandöler TransferSchwerFilz-SchnellWechsler)



		A	B	C	D
Part No.	Name	Lubrication width [mm]	Cabinet width [mm]	Fastening size [mm]	Space requirement [mm]
1023100075	RB TSF-SW 0075	75	89	190	310
1023100100	RB TSF-SW 0100	100	139	240	360
1023100150	RB TSF-SW 0150	150	189	290	410
1023100200	RB TSF-SW 0200	200	239	340	460
1023100250	RB TSF-SW 0250	250	289	390	510
1023100300	RB TSF-SW 0300	300	339	440	560
1023100350	RB TSF-SW 0350	350	389	490	610
1023100400	RB TSF-SW 0400	400	439	540	660
1023100450	RB TSF-SW 0450	450	489	590	710
1023100500	RB TSF-SW 0500	500	539	640	760
1023100600	RB TSF-SW 0600	600	639	740	860
1023100700	RB TSF-SW 0700	700	739	840	960
1023100800	RB TSF-SW 0800	800	839	940	1060
1023100900	RB TSF-SW 0900	900	939	1040	1160
1023101000	RB TSF-SW 1000	1000	1039	1140	1260
1023101300	RB TSF-SW 1300	1300	1339	1440	1560

RB TSB-SW

(RollenBandöler TransferSchwerBürste-SchnellWechsler)



Figure RB TSB-SW in the frame

Description

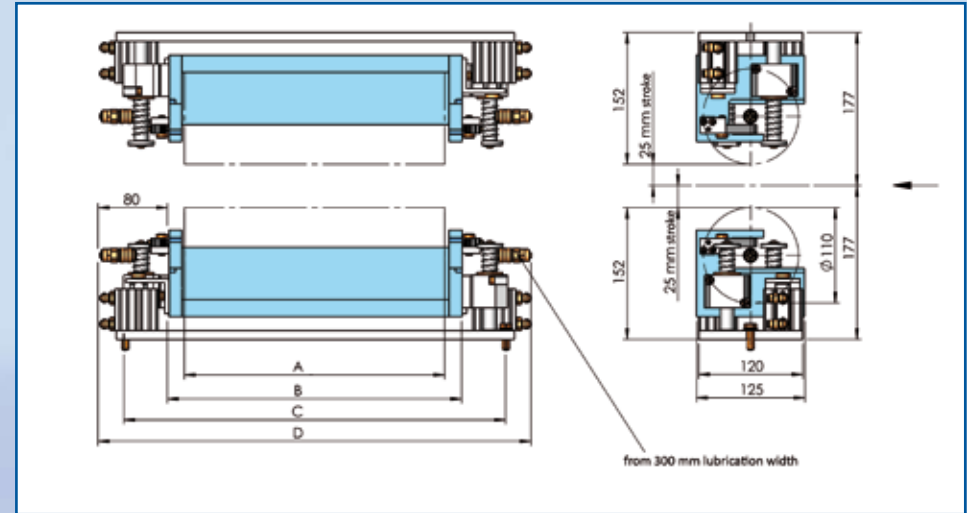
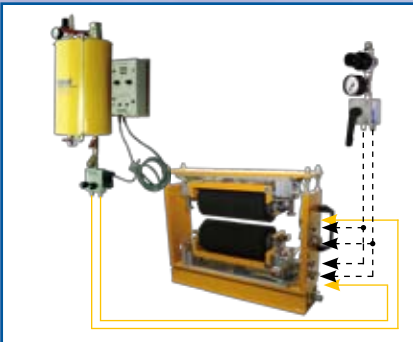
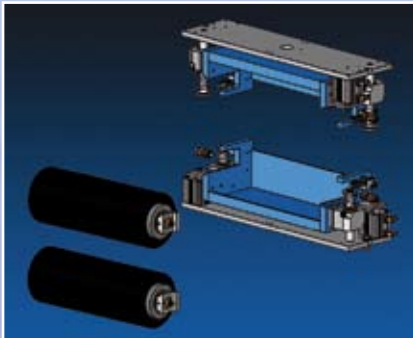
- Oil coating mist-free owing to low-wear, inside-lubricated brush rollers
- Positioning of the upper roller at the material by means of pneumatic cylinder, stroke height approx. 25 mm
- The roller sets are fixed with snap catches in the housing
- The roller changing takes place without a press (tool)

Technical Data

- Roller diameter 110 mm
- max. material thickness 10.0 mm
- max. oil viscosity (40°C) medium to high viscosity
- lubrication width 55 to 780 mm
- the oil must not resinify and not contain any solids
- with oil connection hoses and visual feed control (drip chambers)
- with in-built substitute set
- from 300 mm lubrication width, with both sided oil connection
- Brush roller fast-changing sets are completely installed and comprise:
axle, brush and threaded joints

Use

- stamping, fine-blanking, deep-drawing, bending, cold-rolling, splitting



		A	B	C	D
Part No.	Name	Lubrication width [mm]	Cabinet width [mm]	Fastening size [mm]	Space requirement [mm]
1023200055	RB TSB-SW 055	55	89	190	310
1023200080	RB TSB-SW 080	80	139	240	360
1023200130	RB TSB-SW 130	130	189	290	410
1023200180	RB TSB-SW 180	180	239	340	460
1023200230	RB TSB-SW 230	230	289	390	510
1023200280	RB TSB-SW 280	280	339	440	560
1023200330	RB TSB-SW 330	330	389	490	610
1023200380	RB TSB-SW 380	380	439	540	660
1023200430	RB TSB-SW 430	430	489	590	710
1023200480	RB TSB-SW 480	480	539	640	760
1023200580	RB TSB-SW 580	580	639	740	860
1023200680	RB TSB-SW 680	680	739	840	960
1023200780	RB TSB-SW 780	780	839	940	1060

SBA TM-10



Description

- The sector lubrication system consists of an upper part and a lower part with an oil bath
- In the upper and lower part, there are 5 spring-fed lubrication sectors with felt rollers
- It is possible to supply each sector individually with oil, so that only a certain area of the material is lubricated



Technical Data

- Lubrication sector RB TM
- Number of sectors totally 10
- lubrication width 500 to 1300 mm
- Roller diameter 32 mm
- The upper part of the sector lubrication system can be pneumatically fed at a stroke height of 25 mm
- Max. oil viscosity (40°C) approx. 100 mm²/s
- The oil must not resinify and not contain any solids

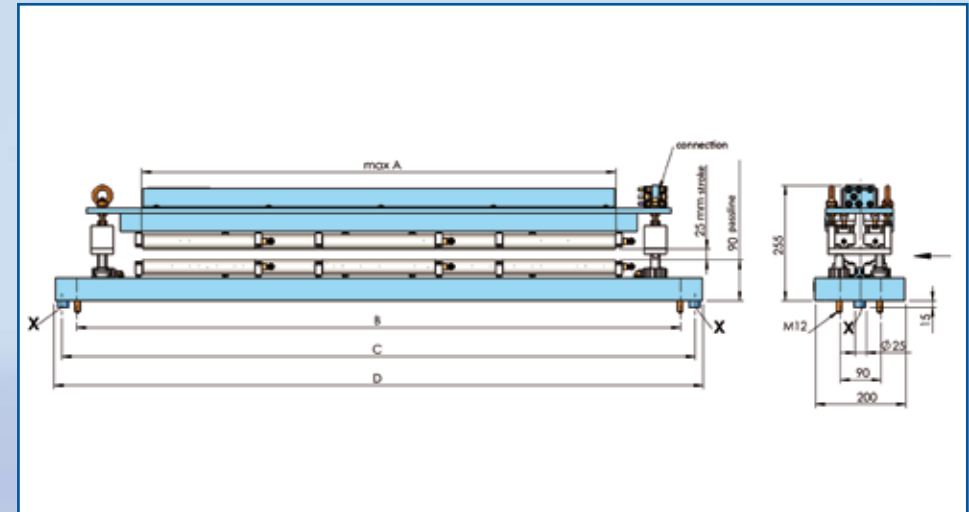
Use

- stamping, fine-blanking, deep-drawing, bending, cold-rolling, splitting

For other lubrication widths or sector distributions, please inquire!



(SektorBefettungsAnlage TransferMini)



		A	B	C	D
Part No.	Name	Lubrication width [mm]	Fastening width [mm]	Oil drain size [mm]	Length Oil trough [mm]
1031350500	SBA TM-10 0500	500	840	905	940
1031350600	SBA TM-10 0600	600	940	1005	1040
1031350700	SBA TM-10 0700	700	1040	1105	1140
1031350800	SBA TM-10 0800	800	1140	1205	1240
1031350900	SBA TM-10 0900	900	1240	1305	1340
1031351000	SBA TM-10 1000	1000	1340	1405	1440
1031351100	SBA TM-10 1100	1100	1440	1505	1540
1031351200	SBA TM-10 1200	1200	1540	1605	1640
1031351300	SBA TM-10 1300	1300	1640	1705	1740

SBA TF-10



Description

- The sector lubrication system consists of an upper part and a lower part with an oil bath.
- In the upper and lower part, there are 5 spring-fed lubrication sectors with felt rollers
- It is possible to supply each sector individually with oil, so that only a certain area of the material is lubricated



Technical Data

- Lubrication sector RB TF
- Number of sectors totally 10
- lubrication width 500 to 1600 mm
- Roller diameter 60 mm
- The upper part of the sector lubrication system can be pneumatically fed at a stroke height of 25 mm
- Max. oil viscosity (40°C) approx. 150 mm²/s
- The oil must not resinify and not contain any solids

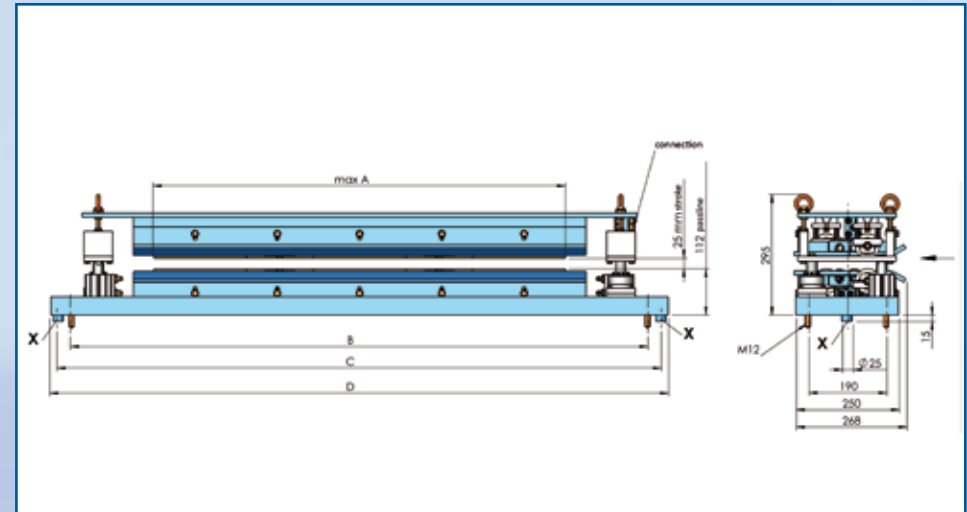
Use

- stamping, fine-blanking, deep-drawing, bending, cold-rolling, splitting

For other lubrication widths or sector distributions, please inquire!

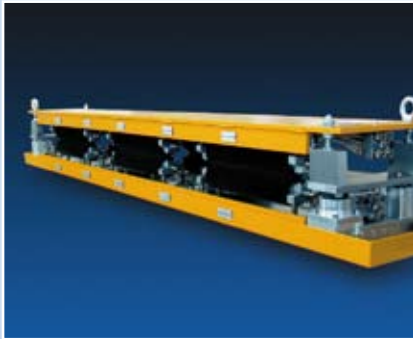


(SektorBefettungsAnlage TransferFilz)



		A	B	C	D
Part No.	Name	Lubrication width [mm]	Fastening width [mm]	Oil drain size [mm]	Length Oil trough [mm]
1032350500	SBA TF-10 0500	500	900	965	1000
1032350600	SBA TF-10 0600	600	1000	1065	1100
1032350700	SBA TF-10 0700	700	1100	1165	1200
1032350800	SBA TF-10 0800	800	1200	1265	1300
1032350900	SBA TF-10 0900	900	1300	1365	1400
1032351000	SBA TF-10 1000	1000	1400	1465	1500
1032351100	SBA TF-10 1100	1100	1500	1565	1600
1032351200	SBA TF-10 1200	1200	1600	1665	1700
1032351300	SBA TF-10 1300	1300	1700	1765	1800
1032351400	SBA TF-10 1400	1400	1800	1865	1900
1032351500	SBA TF-10 1500	1500	1900	1965	2000
1032351600	SBA TF-10 1600	1600	2000	2065	2100

SBA TB-10



Description

- The sector lubrication system consists of an upper part and a lower part with an oil bath.
- In the upper and lower part, there are 5 spring-fed Lubrication sectors with brush rollers
- It is possible to supply each sector individually with oil, so that only a certain area of the material is lubricated



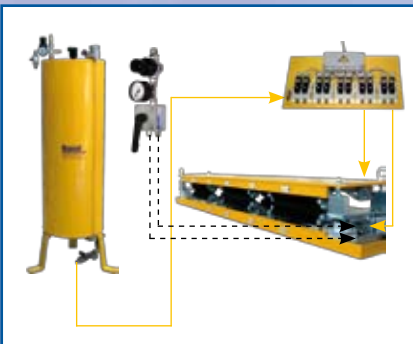
Technical Data

- Lubrication sector RB TB
- Number of sectors totally 10
- lubrication width 600 to 1600 mm
- Roller diameter 60 mm
- The upper part of the sector lubrication system can be pneumatically fed at a stroke height of 25 mm
- Max. oil viscosity (40°C) medium to high viscosity
- The oil must not resinify and not contain any solids

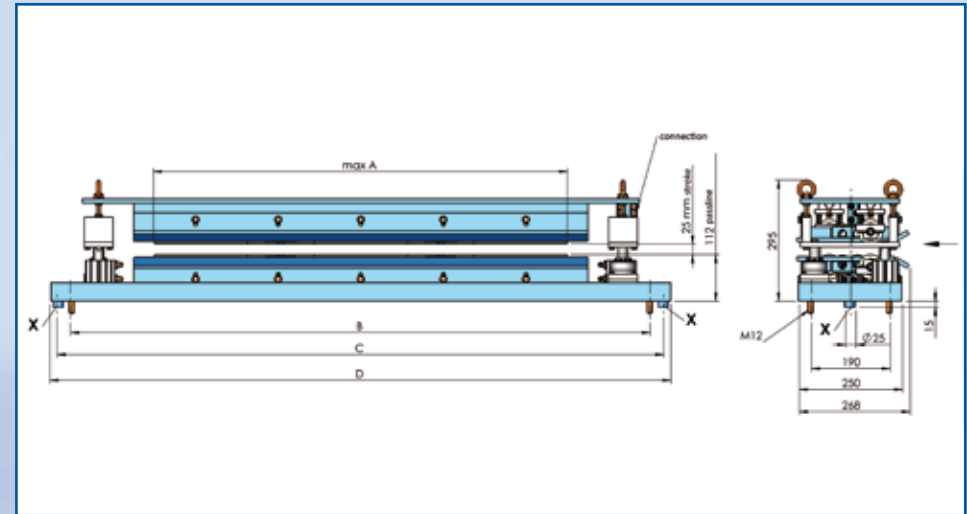
Use

- stamping, fine-blanking, deep-drawing, bending, cold-rolling, splitting

For other lubrication widths or sector distributions, please inquire!



(SektorBefettungsAnlage TransferBürste)



		A	B	C	D
Part No.	Name	Lubrication width [mm]	Fastening width [mm]	Oil drain size [mm]	Length Oil trough [mm]
1033350600	SBA TB-10 0600	600	1000	1065	1100
1033350700	SBA TB-10 0700	700	1100	1165	1200
1033350800	SBA TB-10 0800	800	1200	1265	1300
1033350900	SBA TB-10 0900	900	1300	1365	1400
1033351000	SBA TB-10 1000	1000	1400	1465	1500
1033351100	SBA TB-10 1100	1100	1500	1565	1600
1033351200	SBA TB-10 1200	1200	1600	1665	1700
1033351300	SBA TB-10 1300	1300	1700	1765	1800
1033351400	SBA TB-10 1400	1400	1800	1865	1900
1033351500	SBA TB-10 1500	1500	1900	1965	2000
1033351600	SBA TB-10 1600	1600	2000	2065	2100

SBA TF-P-10 SW (SektorBefettungsAnlage TransferFilz-Pneumatik SchnellWechsler)



Figure with brush rollers

Description

- The sector lubrication system consists of an upper part and a lower part with an oil bath.
- In the upper and lower part, there are 5 lubrication sectors each in fast-changing design with felt rollers
- It is possible to supply each sector individually with oil, so that only a certain area of the material is lubricated

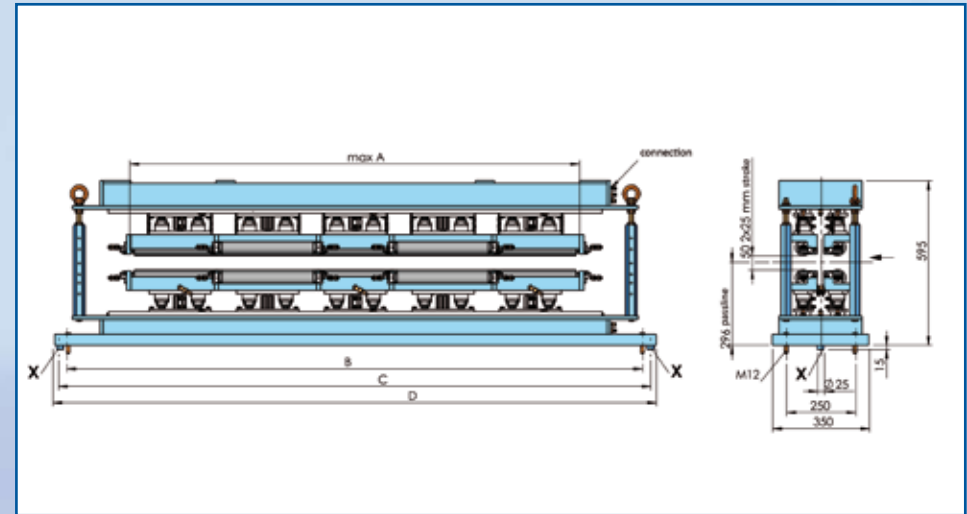
Technical Data

- Lubrication sector RB TF-P-SW
- Number of sectors totally 10
- lubrication width 500 to 1600 mm
- Roller diameter 60 mm
- every individual lubrication sector can be pneumatically fed at a stroke height of 25 mm
- Max. oil viscosity (40°C) 150 mm²/s
- The oil must not resinify and not contain any solids

Use

- stamping, fine-blanking, deep-drawing, bending, cold-rolling, splitting

For other lubrication widths or sector distributions, please inquire!



		A	B	C	D
Part No.	Name	Lubrication width [mm]	Fastening width [mm]	Oil drain size [mm]	Length Oil trough [mm]
1032150500	SBA TF-P-10 SW 0500	500	980	1040	1080
1032150600	SBA TF-P-10 SW 0600	600	1080	1140	1180
1032150700	SBA TF-P-10 SW 0700	700	1180	1240	1280
1032150800	SBA TF-P-10 SW 0800	800	1280	1340	1380
1032150900	SBA TF-P-10 SW 0900	900	1380	1440	1480
1032151000	SBA TF-P-10 SW 1000	1000	1480	1540	1580
1032151100	SBA TF-P-10 SW 1100	1100	1580	1640	1680
1032151200	SBA TF-P-10 SW 1200	1200	1680	1740	1780
1032151300	SBA TF-P-10 SW 1300	1300	1780	1840	1880
1032151400	SBA TF-P-10 SW 1400	1400	1880	1940	1980
1032151500	SBA TF-P-10 SW 1500	1500	1980	2040	2080
1032151600	SBA TF-P-10 SW 1600	1600	2080	2140	2180

SBA TB-P-10 SW (SektorBefettungsAnlage TransferBürste-Pneumatik SchnellWechsler)



Description

- The sector lubrication system consists of an upper part and a lower part with an oil bath.
- In the upper and lower part, there are 5 lubrication sectors each in fast-changing design with brush rollers
- It is possible to supply each sector individually with oil, so that only a certain area of the material is lubricated



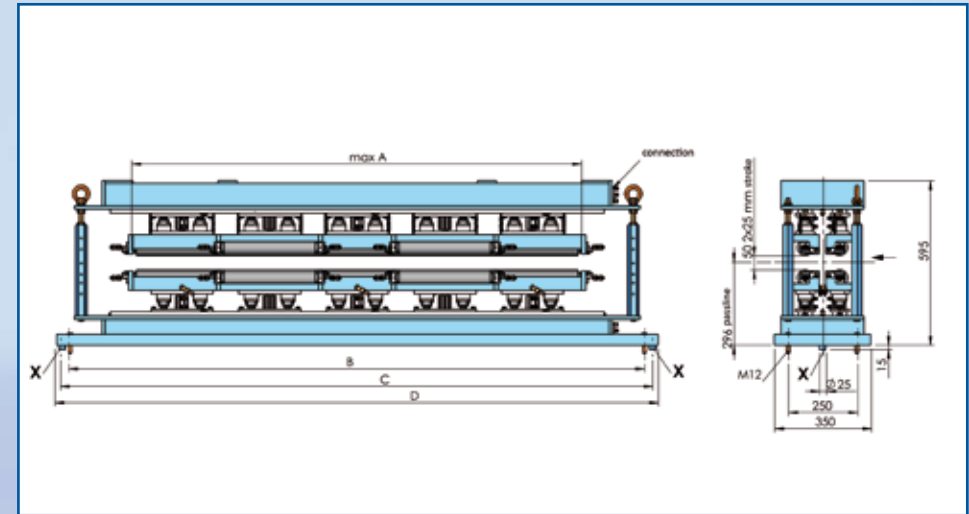
Technical Data

- Lubrication sector RB TB-P-SW
- Number of sectors totally 10
- lubrication width 600 to 1600 mm
- Roller diameter 60 mm
- every individual lubrication sector can be pneumatically fed at a stroke height of 25 mm
- Max. oil viscosity (40°C) medium to high viscosity
- The oil must not resinify and not contain any solids

Use

- stamping, fine-blanking, deep-drawing, bending, cold-rolling, splitting

For other lubrication widths or sector distributions, please inquire!



		A	B	C	D
Part No.	Name	Lubrication width [mm]	Fastening width [mm]	Oil drain size [mm]	Length Oil trough [mm]
1032250600	SBA TB-P-10 SW 0600	600	1080	1140	1180
1032250700	SBA TB-P-10 SW 0700	700	1180	1240	1280
1032250800	SBA TB-P-10 SW 0800	800	1280	1340	1380
1032250900	SBA TB-P-10 SW 0900	900	1380	1440	1480
1032251000	SBA TB-P-10 SW 1000	1000	1480	1540	1580
1032251100	SBA TB-P-10 SW 1100	1100	1580	1640	1680
1032251200	SBA TB-P-10 SW 1200	1200	1680	1740	1780
1032251300	SBA TB-P-10 SW 1300	1300	1780	1840	1880
1032251400	SBA TB-P-10 SW 1400	1400	1880	1940	1980
1032251500	SBA TB-P-10 SW 1500	1500	1980	2040	2080
1032251600	SBA TB-P-10 SW 1600	1600	2080	2140	2180

Felt / brush rollers



• Felt / brush rollers-fast-changing sets

- As a standard feature, in the roller - lubricators, there are fast-changing sets with full lubrication width installed
- Fast-changing sets with smaller lubrication width can be inserted very easily
- Felt roller fast-changing sets are completely installed and comprise:
axle, roller, bearing, felt, head plate, washer disc and threaded joints
- Brush roller fast-changing sets are completely installed and comprise:
axle, brush and threaded joints

• Coil width / roller width

- For the lubrication of coils,

min. coil width = 2/3 the roller width

- If this ratio is undershot, in roller lubricator fast-changing devices substitution sets with smaller lubrication widths can be used



substitute felts /brushes



• Spare felts /brushes

- Spare felts diameter 32 mm, 60 mm and 110 mm
- Spare brushes diameter 32 mm, 60 mm and 110 mm



- For other materials like synthetic felt or Cellpor, please inquire.



Dosing control units



Manual controllers MST without control electronics

- Plastic container 3 or 10 litres
- or pressurised tank 2 or 10 litre
- optionally with manually blockable oil distributor block or oil distributor block with solenoid valve
- Accessories: float switch



Electronic controller EST with control electronics ELS 2000

- Control electronics ELS 2000 and Oil distributor block VBMV with a solenoid valve
- Pressurised storage tank 2, 10, 25 or 40 litre
- Accessories: float switch and column for mobile dosing systems
- Control of air and oil valves depending on the machine cycles
- Delay and lubrication time adjustable
- Control of a refilling pump possible

Dosing control units

Electronic control unit EBAD 3000

- Control electronics EBAD 3000 and oil manifold VBMV-2
- Pressurised storage tank 2, 10, 25 or 40 litre
- Accessories: float switch and column for mobile dosing systems
- Separate dosing for several lubrication points (lubrication sectors, valves)
- Monitoring the oil storage with automatic refilling system



- Types, dimensions and item numbers of the dosing control units can be seen in our brochure.

Dosing control units Contact Lubrication



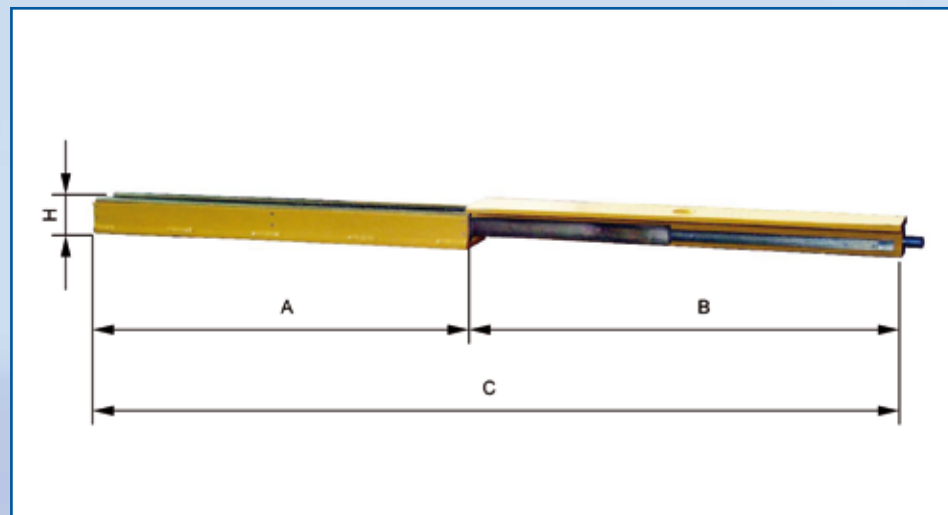
Telescopic slide-outs for roller lubricators



Description

- for simple changing of the lubrication rollers by pulling out the roller lubricators from the line
- for installation below a roller lubricator of type RB PF-SW or RB SF-SW
- Complete assembly set incl. fastening material and plastic handle
- also available as retrofit set

Supply of energy chains is possible, please inquire!



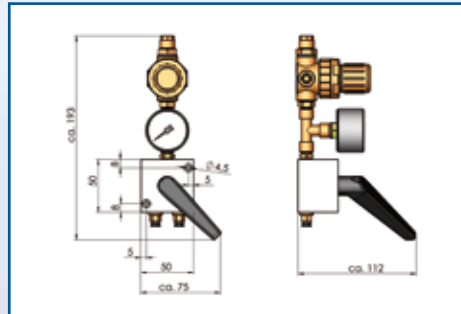
		A	B	C	H	Carrying force
Part No.	Name	Housing length [mm]	Slide-out length [mm]	Total length [mm]	Total height [mm]	[kg]
3080310400	RA5 0400	0400	0400	800	80	125
3080310550	RA5 0550	0550	0550	1100	80	105
3080310650	RA5 0650	0650	0650	1300	80	95
3080310800	RA5 0800	0800	0800	1600	80	80
3080311000	RA5 1000	1000	1000	2000	80	60
3080311200	RA5 1200	1200	1200	2400	80	60
3080311007	RA7 1000	1000	1000	2000	95	230
3080311100	RA7 1100	1100	1100	2200	95	210
3080311300	RA7 1300	1300	1300	2600	95	170
3080311500	RA7 1500	1500	1500	3000	95	130

Overview of accessories



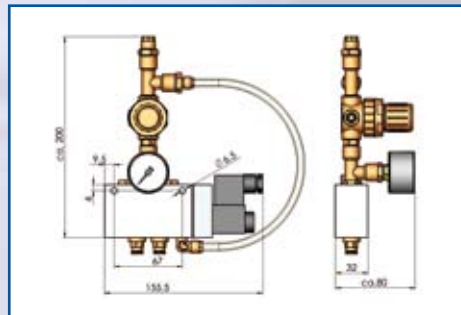
Manual lift control HST Item no. 104591111

- Controlling the to and fro movement of the lubricating roller to the material or away from the material by manual actuation of the hand lever



Stroke control with solenoid valve HST-MV 24V Item no. 104591119

- Electrical control of the to and fro movement of the lubrication roller to the material or away from the material



Overview of accessories



Bracket for roller coil lubricators

- for all roller lubricators in different lengths and widths for fastening the roller lubricators in your system



Drip chambers TK 2 / TK 4

- Drip chambers with hose PVC 8/5 for termination at roller lubricator



More information on our comprehensive accessories can be obtained from our staff at
Telephone: +49 2374 5000 0



• We would be happy to send you additional information material

- Forming lubricants
- Nozzles and lubrication points
- Dosing control units
- Exhaust systems

Raziol Zibulla & Sohn GmbH

Hagener Str. 144 + 152 • D-58642 Iserlohn

Telephone: +49 23 74 50 00 - 0

Fax: +49 23 74 50 00 - 12

E-mail: info@raziol.de

Internet: www.raziol.de

www.drylub.de

Raziol Roller Lubricators - September 2009

... and everything is running smoothly