

## CONVENTIONELE BUISARMATUUR - Ø 70 MM - IP 67

RL.70.E



Over de hele wereld verlichten honderdduizenden buislampen de werktuigmachines. Hun levensduur is lang en zij zijn enorm bestand tegen extreme werkomstandigheden in machinebehuizingen. Zij zijn bestand tegen de meeste smeer- en koelmiddelen. De externe buis is ofwel in een versterkte acryl die praktisch niet kan breken, ofwel in borosilicaatglas dat meer bestand is tegen het spatten van agressieve spanen.

**Type RL 70 E :** met geïntegreerde trafo naast de TL-buis

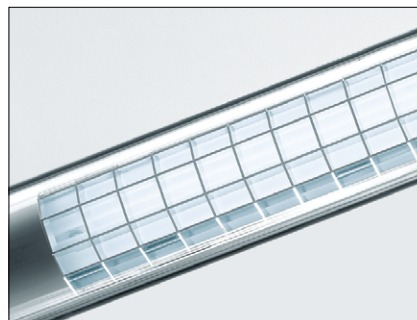
**Type RL 70 H :** met geïntegreerde trafo achter de TL-buis zodat er verlichting is op praktisch de hele lengte van de lamp.

### Technische kenmerken :

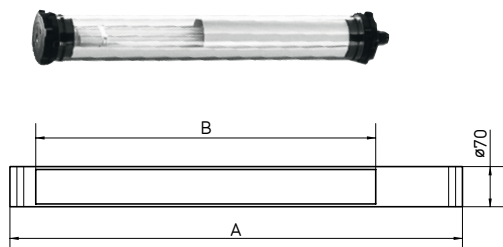
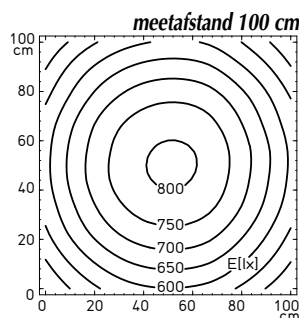
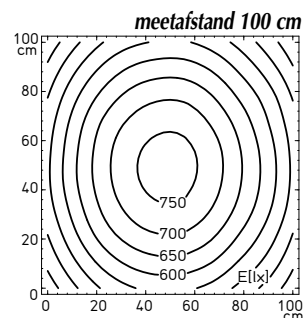
- **Fluocompacte** TC-L buis of **fluorescerende** buis T 16 en T 26 met een levensduur tot 12.000 uren en meer.
- Kleurtemperatuur : wit daglicht **4.000 kelvin**
- Directe straling of zonder verblindingseffect met het paraboolraster.
- Buis in versterkte acryl of in borosilicaatglas
- Zonder schakelaar
- Beschermingsgraad IP 67
- Geleverd zonder kabel, met kabelwartel
- Verschillende bevestigingsbeugels en toebehoren leverbaar



RL.70.H



## BUISLAMP MET GEÏNTEGREERDE ELEKTRONISCHE BALLAST "RL 70 E / RL 70 CE"


**2 X 39 W normaal**

**2 X 39 W parabolisch**

**230 – 240 V, 50 / 60 HZ**

| Vermogen     | Afmetingen              | buis                        | Em / Emax (lux)* | TYPE        | Ref.                            |
|--------------|-------------------------|-----------------------------|------------------|-------------|---------------------------------|
| 1 x 18 W T26 | A = 916 mm B = 597 mm   | acryl                       | 207 / 262        | RL 70 E-118 | <a href="#">WVS.111.841.000</a> |
| 1 x 18 W T26 | A = 916 mm B = 597 mm   | acryl ; paraboolraster      | 172 / 222        | RL 70 E-118 | <a href="#">WVS.111.841.010</a> |
| 1 x 18 W T26 | A = 916 mm B = 597 mm   | borosilicaatglas            | 207 / 262        | RL 70 E-118 | <a href="#">WVS.111.841.001</a> |
| 1 x 18 W T26 | A = 916 mm B = 597 mm   | boro-glas. ; paraboolraster | 172 / 222        | RL 70 E-118 | <a href="#">WVS.111.841.011</a> |
| 1 x 36 W T26 | A = 1724 mm B = 1200 mm | acryl                       | 410 / 490        | RL 70 E-136 | <a href="#">WVS.111.821.000</a> |
| 1 x 36 W T26 | A = 1724 mm B = 1200 mm | acryl ; paraboolraster      | 348 / 420        | RL 70 E-136 | <a href="#">WVS.111.821.010</a> |
| 1 x 36 W T26 | A = 1724 mm B = 1200 mm | borosilicaatglas            | 410 / 490        | RL 70 E-136 | <a href="#">WVS.111.821.001</a> |
| 1 x 36 W T26 | A = 1724 mm B = 1200 mm | boro-glas. ; paraboolraster | 348 / 420        | RL 70 E-136 | <a href="#">WVS.111.821.011</a> |
| 1 x 58 W T26 | A = 2027 mm B = 1548 mm | acryl                       | 497 / 693        | RL 70 E-158 | <a href="#">WVS.111.911.000</a> |
| 1 x 58 W T26 | A = 2027 mm B = 1548 mm | acryl ; paraboolraster      | 425 / 620        | RL 70 E-158 | <a href="#">WVS.111.911.010</a> |
| 1 x 58 W T26 | A = 2027 mm B = 1548 mm | borosilicaatglas            | 497 / 693        | RL 70 E-158 | <a href="#">WVS.111.911.001</a> |
| 1 x 58 W T26 | A = 2027 mm B = 1548 mm | boro-glas. ; paraboolraster | 425 / 620        | RL 70 E-158 | <a href="#">WVS.111.911.011</a> |

**100 / 120 / 230 V, 50 / 60 HZ**

| Vermogen     | Afmetingen            | buis                        | Em / Emax (lux)* | TYPE         | Ref.                            |
|--------------|-----------------------|-----------------------------|------------------|--------------|---------------------------------|
| 1 x 18 WTC-L | A = 486 mm B = 198 mm | acryl                       | 160 / 205        | RL 70 CE-118 | <a href="#">WVS.111.371.000</a> |
| 1 x 18 WTC-L | A = 486 mm B = 198 mm | acryl ; paraboolraster      | 154 / 211        | RL 70 CE-118 | <a href="#">WVS.111.371.010</a> |
| 1 x 18 WTC-L | A = 486 mm B = 198 mm | borosilicaatglas            | 160 / 205        | RL 70 CE-118 | <a href="#">WVS.111.371.001</a> |
| 1 x 18 WTC-L | A = 486 mm B = 198 mm | boro-glas. ; paraboolraster | 154 / 211        | RL 70 CE-118 | <a href="#">WVS.111.371.011</a> |
| 1 x 24 WTC-L | A = 572 mm B = 293 mm | acryl                       | 259 / 333        | RL 70 CE-124 | <a href="#">WVS.111.381.002</a> |
| 1 x 24 WTC-L | A = 572 mm B = 293 mm | acryl ; paraboolraster      | 220 / 313        | RL 70 CE-124 | <a href="#">WVS.111.381.004</a> |
| 1 x 24 WTC-L | A = 572 mm B = 293 mm | borosilicaatglas            | 259 / 333        | RL 70 CE-124 | <a href="#">WVS.111.381.003</a> |
| 1 x 24 WTC-L | A = 572 mm B = 293 mm | boro-glas. ; paraboolraster | 220 / 313        | RL 70 CE-124 | <a href="#">WVS.111.381.005</a> |

**220 – 240 V, 50 / 60 HZ**

| Vermogen     | Afmetingen             | buis                        | Em / Emax (lux)* | TYPE         | Ref.                            |
|--------------|------------------------|-----------------------------|------------------|--------------|---------------------------------|
| 1 x 36 WTC-L | A = 827 mm B = 363 mm  | acryl                       | 337 / 437        | RL 70 CE-136 | <a href="#">WVS.112.009.000</a> |
| 1 x 36 WTC-L | A = 827 mm B = 363 mm  | acryl ; paraboolraster      | 327 / 450        | RL 70 CE-136 | <a href="#">WVS.112.009.010</a> |
| 1 x 36 WTC-L | A = 827 mm B = 363 mm  | borosilicaatglas            | 337 / 437        | RL 70 CE-136 | <a href="#">WVS.112.009.001</a> |
| 1 x 36 WTC-L | A = 827 mm B = 363 mm  | boro-glas. ; paraboolraster | 327 / 450        | RL 70 CE-136 | <a href="#">WVS.112.009.011</a> |
| 2 x 39 W T16 | A = 1475 mm B = 829 mm | acryl                       | 641 / 805        | RL 70 E-239  | <a href="#">WVS.112.501.000</a> |
| 2 x 39 W T16 | A = 1475 mm B = 829 mm | acryl ; paraboolraster      | 577 / 765        | RL 70 E-239  | <a href="#">WVS.112.501.010</a> |
| 2 x 39 W T16 | A = 1475 mm B = 829 mm | borosilicaatglas            | 641 / 805        | RL 70 E-239  | <a href="#">WVS.112.501.001</a> |
| 2 x 39 W T16 | A = 1475 mm B = 829 mm | boro-glas. ; paraboolraster | 577 / 765        | RL 70 E-239  | <a href="#">WVS.112.501.011</a> |

\* Em = gemiddelde verlichting / Emax = maximale verlichting

## BUISLAMP MET GEÏNTEGREERDE ELEKTRONISCHE BALLAST "RL 70 E / RL 70 CE"

### 110 – 230 V, 50 / 60 HZ

| Vermogen     | Afmetingen             | Kenmerken                   | Em / Emax (lux)* | TYPE         | Ref.                            |
|--------------|------------------------|-----------------------------|------------------|--------------|---------------------------------|
| 1 x 40 WTC-L | A = 1040 mm B = 530 mm | borosilicaatglas            | 442 / 563        | RL 70 CE-140 | <a href="#">WVS.112.331.003</a> |
| 1 x 40 WTC-L | A = 1040 mm B = 530 mm | boro-glas. ; paraboolraster | 400 / 552        | RL 70 CE-140 | <a href="#">WVS.112.331.005</a> |

### 24 VDC

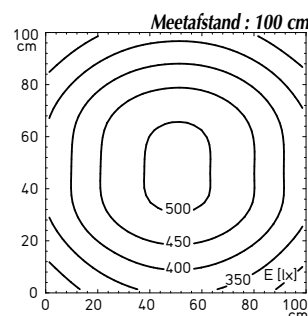
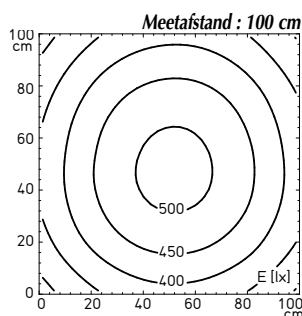
| Vermogen     | Afmetingen              | Kenmerken                   | Em / Emax (lux)* | TYPE         | Ref.                            |
|--------------|-------------------------|-----------------------------|------------------|--------------|---------------------------------|
| 1 x 18 WTC-L | A = 524 mm B = 212 mm   | acryl                       | 159 / 205        | L 70 CE-118  | <a href="#">WVS.112.370.000</a> |
| 1 x 18 WTC-L | A = 524 mm B = 212 mm   | acryl ; paraboolraster      | 152 / 208        | RL 70 CE-118 | <a href="#">WVS.112.370.010</a> |
| 1 x 18 WTC-L | A = 524 mm B = 212 mm   | borosilicaatglas            | 159 / 205        | RL 70 CE-118 | <a href="#">WVS.112.370.001</a> |
| 1 x 18 WTC-L | A = 524 mm B = 212 mm   | boro-glas. ; paraboolraster | 152 / 208        | RL 70 CE-118 | <a href="#">WVS.112.370.011</a> |
| 1 x 24 WTC-L | A = 639 mm B = 317 mm   | acryl                       | 259 / 333        | RL 70 CE-124 | <a href="#">WVS.111.440.000</a> |
| 1 x 24 WTC-L | A = 639 mm B = 317 mm   | acryl ; paraboolraster      | 220 / 313        | RL 70 CE-124 | <a href="#">WVS.111.440.010</a> |
| 1 x 24 WTC-L | A = 639 mm B = 317 mm   | borosilicaatglas            | 259 / 333        | RL 70 CE-124 | <a href="#">WVS.111.440.001</a> |
| 1 x 24 WTC-L | A = 639 mm B = 317 mm   | boro-glas. ; paraboolraster | 220 / 313        | RL 70 CE-124 | <a href="#">WVS.111.440.011</a> |
| 1 x 36 WTC-L | A = 747 mm B = 364 mm   | acryl                       | 337 / 437        | RL 70 CE-136 | <a href="#">WVS.111.450.000</a> |
| 1 x 36 WTC-L | A = 747 mm B = 364 mm   | acryl ; paraboolraster      | 327 / 450        | RL 70 CE-136 | <a href="#">WVS.111.450.010</a> |
| 1 x 36 WTC-L | A = 747 mm B = 364 mm   | borosilicaatglas            | 337 / 437        | RL 70 CE-136 | <a href="#">WVS.111.450.001</a> |
| 1 x 36 WTC-L | A = 747 mm B = 364 mm   | boro-glas. ; paraboolraster | 271 / 352        | RL 70 CE-136 | <a href="#">WVS.111.450.011</a> |
| 1 x 36 WT26  | A = 1532 mm B = 1210 mm | acryl                       | 410 / 490        | RL 70 E-136  | <a href="#">WVS.111.730.000</a> |
| 1 x 36 WT26  | A = 1532 mm B = 1210 mm | acryl ; paraboolraster      | 348 / 420        | RL 70 E-136  | <a href="#">WVS.111.730.010</a> |
| 1 x 36 WT26  | A = 1532 mm B = 1210 mm | borosilicaatglas            | 410 / 490        | RL 70 E-136  | <a href="#">WVS.111.730.001</a> |
| 1 x 36 WT26  | A = 1532 mm B = 1210 mm | boro-glas. ; paraboolraster | 348 / 420        | RL 70 E-136  | <a href="#">WVS.111.730.011</a> |
| 1 x 58 WT26  | A = 1850 mm B = 1541 mm | acryl                       | 497 / 693        | RL 70 E-158  | <a href="#">WVS.112.170.000</a> |
| 1 x 58 WT26  | A = 1850 mm B = 1541 mm | acryl ; paraboolraster      | 425 / 620        | RL 70 E-158  | <a href="#">WVS.112.170.010</a> |
| 1 x 58 WT26  | A = 1850 mm B = 1541 mm | borosilicaatglas            | 497 / 693        | RL 70 E-158  | <a href="#">WVS.112.170.001</a> |
| 1 x 58 WT26  | A = 1850 mm B = 1541 mm | boro-glas. ; paraboolraster | 425 / 620        | RL 70 E-158  | <a href="#">WVS.112.170.011</a> |

### 24 VAC, 50 / 60 HZ

| Vermogen     | Afmetingen            | Kenmerken                   | Em / Emax (lux)* | TYPE         | Ref.                            |
|--------------|-----------------------|-----------------------------|------------------|--------------|---------------------------------|
| 1 x 18 WTC-L | A = 524 mm B = 212 mm | acryl                       | 159 / 205        | RL 70 CE-118 | <a href="#">WVS.112.369.000</a> |
| 1 x 18 WTC-L | A = 524 mm B = 212 mm | acryl ; paraboolraster      | 152 / 208        | RL 70 CE-118 | <a href="#">WVS.112.369.010</a> |
| 1 x 18 WTC-L | A = 524 mm B = 212 mm | borosilicaatglas            | 159 / 205        | RL 70 CE-118 | <a href="#">WVS.112.369.001</a> |
| 1 x 18 WTC-L | A = 524 mm B = 212 mm | boro-glas. ; paraboolraster | 152 / 208        | RL 70 CE-118 | <a href="#">WVS.112.369.011</a> |
| 1 x 18 WT26  | A = 919 mm B = 597 mm | acryl                       | 207 / 262        | RL 70 E-118  | <a href="#">WVS.111.650.000</a> |
| 1 x 18 WT26  | A = 919 mm B = 597 mm | acryl ; paraboolraster      | 172 / 222        | RL 70 E-118  | <a href="#">WVS.111.650.010</a> |
| 1 x 18 WT26  | A = 919 mm B = 597 mm | borosilicaatglas            | 207 / 262        | RL 70 E-118  | <a href="#">WVS.111.650.001</a> |
| 1 x 18 WT26  | A = 919 mm B = 597 mm | boro-glas. ; paraboolraster | 172 / 222        | RL 70 E-118  | <a href="#">WVS.111.650.011</a> |
| 1 x 24 WTC-L | A = 639 mm B = 317 mm | acryl                       | 259 / 333        | RL 70 CE-124 | <a href="#">WVS.111.410.000</a> |
| 1 x 24 WTC-L | A = 639 mm B = 317 mm | acryl ; paraboolraster      | 220 / 313        | RL 70 CE-124 | <a href="#">WVS.111.410.010</a> |
| 1 x 24 WTC-L | A = 639 mm B = 317 mm | borosilicaatglas            | 259 / 333        | RL 70 CE-124 | <a href="#">WVS.111.410.001</a> |
| 1 x 24 WTC-L | A = 639 mm B = 317 mm | boro-glas. ; paraboolraster | 220 / 313        | RL 70 CE-124 | <a href="#">WVS.111.410.011</a> |
| 1 x 36 WTC-L | A = 747 mm B = 364 mm | acryl                       | 337 / 437        | RL 70 CE-136 | <a href="#">WVS.111.420.000</a> |
| 1 x 36 WTC-L | A = 747 mm B = 364 mm | acryl ; paraboolraster      | 327 / 450        | RL 70 CE-136 | <a href="#">WVS.111.420.010</a> |
| 1 x 36 WTC-L | A = 747 mm B = 364 mm | borosilicaatglas            | 337 / 437        | RL 70 CE-136 | <a href="#">WVS.111.420.001</a> |
| 1 x 36 WTC-L | A = 747 mm B = 364 mm | boro-glas. ; paraboolraster | 327 / 450        | RL 70 CE-136 | <a href="#">WVS.111.420.011</a> |

\* Em = gemiddelde verlichting / Emax = maximale verlichting

## BUISLAMP MET GEÏNTEGREERDE BALLAST ACHTER DE REFLECTOR "RL 70 H"



### 230 – 240 V, 50/60 HZ

| Vermogen     | Afmetingen             | Kenmerken                   | Em / Emax (lux)* | TYPE         | Ref.            |
|--------------|------------------------|-----------------------------|------------------|--------------|-----------------|
| 1 x 36 WTC-L | A = 585 mm B = 395 mm  | acryl                       | 280 / 354 lx (1) | RL70CE-136 H | WVS.112.472 000 |
| 1 x 36 WTC-L | A = 585 mm B = 395 mm  | acryl ; paraboolraster      | 271 / 352 lx (1) | RL70CE-136 H | WVS.112.472 010 |
| 1 x 36 WTC-L | A = 585 mm B = 395 mm  | borosilicaatglas            | 280 / 354 lx (1) | RL70CE-136 H | WVS.112.472 001 |
| 1 x 36 WTC-L | A = 585 mm B = 395 mm  | boro-glas. ; paraboolraster | 271 / 352 lx (1) | RL70CE-136 H | WVS.112.472 011 |
| 2 x 36 WTC-L | A = 1065 mm B = 790 mm | acryl                       | 421 / 515 lx (1) | RL70CE-236 H | WVS.112.449 000 |
| 2 x 36 WTC-L | A = 1065 mm B = 790 mm | acryl ; paraboolraster      | 409 / 510 lx (1) | RL70CE-236 H | WVS.112.449 010 |
| 2 x 36 WTC-L | A = 1065 mm B = 790 mm | borosilicaatglas            | 421 / 515 lx (1) | RL70CE-236 H | WVS.112.449 001 |
| 2 x 36 WTC-L | A = 1065 mm B = 790 mm | boro-glas. ; paraboolraster | 409 / 510 lx (1) | RL70CE-236 H | WVS.112.449 011 |

### 110 / 230 V, 50/60 HZ

| Vermogen     | Afmetingen            | Kenmerken                   | Em / Emax (lux)* | TYPE         | Ref.            |
|--------------|-----------------------|-----------------------------|------------------|--------------|-----------------|
| 1 x 36 WTC-L | A = 585 mm B = 395 mm | acryl                       | 280 / 354 lx (1) | RL70CE-136 H | WVS.619.063.007 |
| 1 x 36 WTC-L | A = 585 mm B = 395 mm | acryl ; paraboolraster      | 256 / 350 lx (1) | RL70CE-136 H | WVS.619.063.017 |
| 1 x 36 WTC-L | A = 585 mm B = 395 mm | borosilicaatglas            | 280 / 354 lx (1) | RL70CE-136 H | WVS.619.063.001 |
| 1 x 36 WTC-L | A = 585 mm B = 395 mm | boro-glas. ; paraboolraster | 256 / 350 lx (1) | RL70CE-136 H | WVS.619.063.011 |

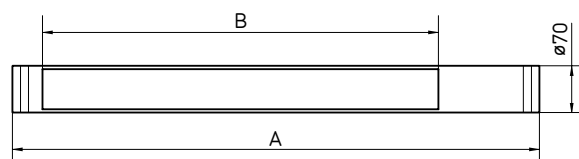
### 100 – 250 V, 50/60 HZ

| Vermogen     | Afmetingen            | Kenmerken                   | Em / Emax (lux)* | Model        | Ref.            |
|--------------|-----------------------|-----------------------------|------------------|--------------|-----------------|
| 1 x 24 WTC-L | A = 495 mm B = 311 mm | acryl                       | 242 / 305 lx (1) | RL70CE-124 H | WVS.112.911.000 |
| 1 x 24 WTC-L | A = 495 mm B = 311 mm | acryl ; paraboolraster      | 207 / 281 lx (1) | RL70CE-124 H | WVS.112.911.010 |
| 1 x 24 WTC-L | A = 495 mm B = 311 mm | borosilicaatglas            | 242 / 305 lx (1) | RL70CE-124 H | WVS.112.911.001 |
| 1 x 24 WTC-L | A = 495 mm B = 311 mm | boro-glas. ; paraboolraster | 207 / 281 lx (1) | RL70CE-124 H | WVS.112.911.011 |

### 24 VAC/DC

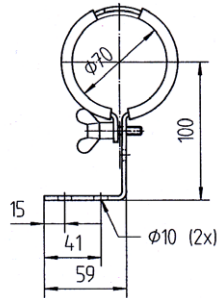
| Vermogen     | Afmetingen            | Kenmerken                   | Em / Emax (lux)* | TYPE         | Ref.            |
|--------------|-----------------------|-----------------------------|------------------|--------------|-----------------|
| 1 x 24 WTC-L | A = 475 mm B = 331 mm | acryl                       | 204 / 259 lx (1) | RL70CE-124 H | WVS.112.470.004 |
| 1 x 24 WTC-L | A = 475 mm B = 331 mm | acryl ; paraboolraster      | 196 / 257 lx (1) | RL70CE-124 H | WVS.112.470.006 |
| 1 x 24 WTC-L | A = 475 mm B = 331 mm | borosilicaatglas            | 204 / 259 lx (1) | RL70CE-124 H | WVS.112.470.005 |
| 1 x 24 WTC-L | A = 475 mm B = 331 mm | boro-glas. ; paraboolraster | 196 / 257 lx (1) | RL70CE-124 H | WVS.112.470.007 |
| 1 x 36 WTC-L | A = 585 mm B = 395 mm | acryl                       | 258 / 322 lx (1) | RL70CE-136 H | WVS.112.411.000 |
| 1 x 36 WTC-L | A = 585 mm B = 395 mm | acryl ; paraboolraster      | 271 / 352 lx (1) | RL70CE-136 H | WVS.112.411.010 |
| 1 x 36 WTC-L | A = 585 mm B = 395 mm | borosilicaatglas            | 258 / 322 lx (1) | RL70CE-136 H | WVS.112.411.001 |
| 1 x 36 WTC-L | A = 585 mm B = 395 mm | boro-glas. ; paraboolraster | 271 / 352 lx (1) | RL70CE-136 H | WVS.112.411.011 |

\* Em = gemiddelde verlichting / Emax = maximale verlichting



## BEVESTIGINGSBEUGEL VOOR BUISLAMP "RL 70"

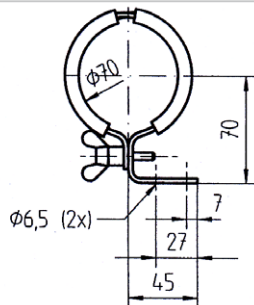
BEVESTIGINGSBEUGEL



bijzonderheid : met rubberprofiel

Ref. WVS.SK1.021.719

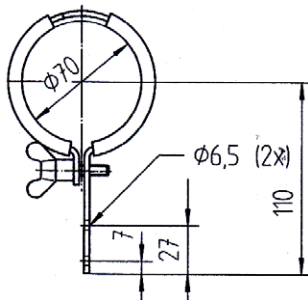
BEVESTIGINGSBEUGEL



bijzonderheid : met rubberprofiel

Ref. WVS.SK0.995.719

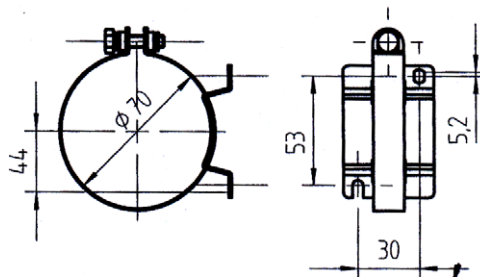
BEVESTIGINGSBEUGEL



bijzonderheid : met rubberprofiel

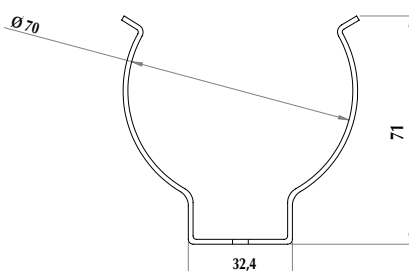
Ref. WVS.190.015.719

BEVESTIGINGSBEUGEL



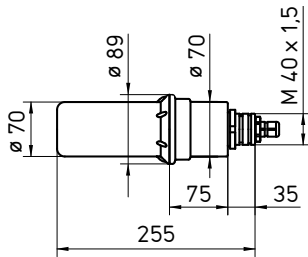
Ref. WVS.190.027.019

ECONOMISCHE WANDHOUDER



Ref. RWT.7063.WVS

## COMPACTE BUISARMATUUR "AWD" Ø 70 MM - IP 67



### TECHNISCHE KENMERKEN :

- Onderhoudsvrij met 1 LED voor een levensduur tot 50.000 uren en meer of met compacte TL type TC-DEL voor een levensduur tot 12.000 uren.
- Kleurtemperatuur : wit daglicht **4.000 kelvin**
- Behuizing in borosilicaatglas met of zonder anti-verblindingsparaboolraster.
- Buis met geïntegreerde elektronische trafo.
- Zonder schakelaar
- Beschermingsgraad IP 67
- Geleverd zonder stekker
- Houder als toebehoren.



### 24 VDC

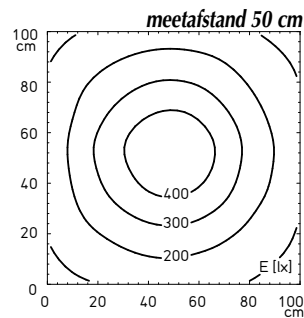
| Vermogen | Kenmerken | Em / Emax (lux)* | TYPE   | Ref.                   |
|----------|-----------|------------------|--------|------------------------|
| 5,5 WLED | reflector | 234 / 476        | AWDL.1 | <b>WVS.112.950.000</b> |

### 24 VDC

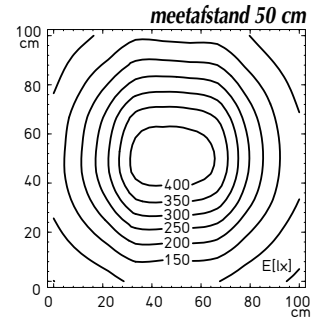
| Vermogen         | Kenmerken      | Em / Emax (lux)* | TYPE     | Ref.                   |
|------------------|----------------|------------------|----------|------------------------|
| 1 x 18 WTC - DEL | -              | 289 / 589        | AWDCE.18 | <b>WVS.112.153.001</b> |
| 1 x 18 WTC - DEL | paraboolraster | 189 / 425        | AWDCE.18 | <b>WVS.112.153.011</b> |

\* Em = gemiddelde verlichting / Emax = maximale verlichting

### AWDL.1



### AWDCE



### STEUN



Ref. WVS.191.092.019