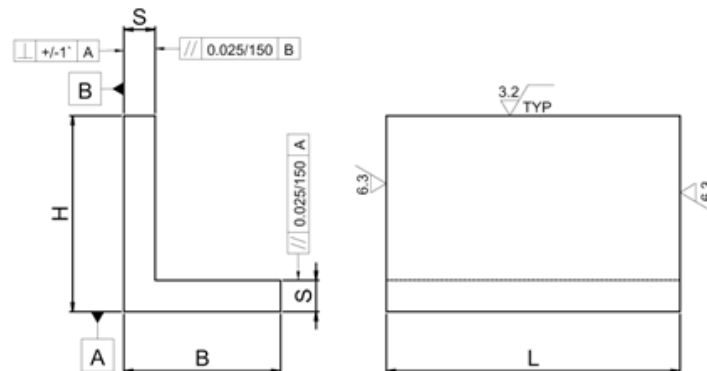


## L - PROFIEL UIT GIETIJZER

**WWN.935**

MATERIAAL : gietijzer EN 1561.



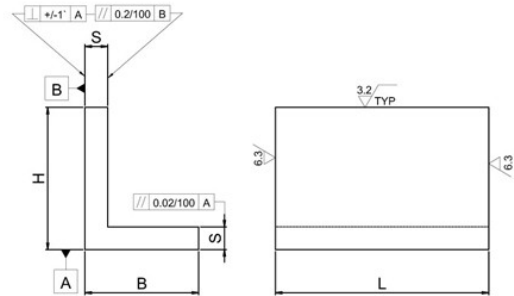
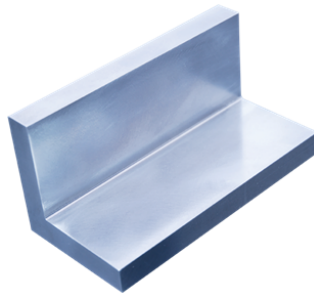
B	H	S	L	gewicht (kg)	Ref.
40	50	12	100	0,7	WWN.935.401.0100
40	50	12	200	1,3	WWN.935.401.0200
40	50	12	300	2	WWN.935.401.0300
40	50	12	400	2,5	WWN.935.401.0400
40	50	12	500	3	WWN.935.401.0500
40	50	12	800	5	WWN.935.401.0800
40	50	12	1000	6	WWN.935.401.1000
50	63	14	100	1	WWN.935.402.0100
50	63	14	200	2	WWN.935.402.0200
50	63	14	300	3	WWN.935.402.0300
50	63	14	400	4	WWN.935.402.0400
50	63	14	500	5	WWN.935.402.0500
50	63	14	600	6	WWN.935.402.0600
50	63	14	800	8	WWN.935.402.0800
50	63	14	1000	10	WWN.935.402.1000
63	80	16	100	1,5	WWN.935.403.0100
63	80	16	200	2,9	WWN.935.403.0200
63	80	16	300	4,4	WWN.935.403.0300
63	80	16	400	5,8	WWN.935.403.0400
63	80	16	500	7,3	WWN.935.403.0500
63	80	16	600	8,8	WWN.935.403.0600
80	100	20	100	2,3	WWN.935.404.0100
80	100	20	200	4,6	WWN.935.404.0200
80	100	20	300	6,9	WWN.935.404.0300
80	100	20	400	9,2	WWN.935.404.0400
80	100	20	500	11,5	WWN.935.404.0500
80	100	20	600	13,8	WWN.935.404.0600
80	100	20	700	16,1	WWN.935.404.0700
80	100	20	800	18,4	WWN.935.404.0800
100	125	22	100	3,2	WWN.935.405.0100
100	125	22	200	6,4	WWN.935.405.0200
100	125	22	300	9,6	WWN.935.405.0300
100	125	22	400	12,9	WWN.935.405.0400
100	125	22	500	16	WWN.935.405.0500

B	H	S	L	gewicht (kg)	Ref.
100	125	22	600	19,3	WWN.935.405.0600
100	125	22	700	22,5	WWN.935.405.0700
100	125	22	800	25,8	WWN.935.405.0800
125	160	25	100	4,7	WWN.935.406.0100
125	160	25	200	9,4	WWN.935.406.0200
125	160	25	300	14	WWN.935.406.0300
125	160	25	400	18,7	WWN.935.406.0400
125	160	25	500	23	WWN.935.406.0500
125	160	25	600	28,1	WWN.935.406.0600
125	160	25	700	32,7	WWN.935.406.0700
125	160	25	800	37,4	WWN.935.406.0800
160	200	32	100	7,6	WWN.935.407.0100
160	200	32	200	15,1	WWN.935.407.0200
160	200	32	300	22,7	WWN.935.407.0300
160	200	32	400	30,2	WWN.935.407.0400
160	200	32	500	38	WWN.935.407.0500
160	200	32	600	45,4	WWN.935.407.0600
160	200	32	700	53	WWN.935.407.0700
160	200	32	800	60,4	WWN.935.407.0800
200	250	36	100	10,7	WWN.935.408.0100
200	250	36	200	21,4	WWN.935.408.0200
200	250	36	300	32,2	WWN.935.408.0300
200	250	36	400	42,8	WWN.935.408.0400
200	250	36	500	53,5	WWN.935.408.0500
200	250	36	600	64,4	WWN.935.408.0600
200	250	36	700	75	WWN.935.408.0700
200	250	36	800	85,6	WWN.935.408.0800
250	315	38	100	14,4	WWN.935.409.0100
250	315	38	200	28,8	WWN.935.409.0200
250	315	38	300	43,2	WWN.935.409.0300
250	315	38	400	57,6	WWN.935.409.0400
250	315	38	500	72	WWN.935.409.0500
250	315	38	600	86,4	WWN.935.409.0600
250	315	38	700	101	WWN.935.409.0700
250	315	38	800	115	WWN.935.409.0800

## L - PROFIEL UIT GIETIJZER

## WWN.913

MATERIAAL :  
gietijzer EN 1561.



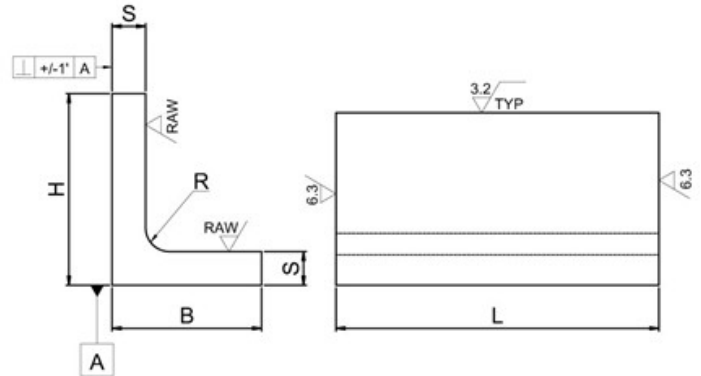
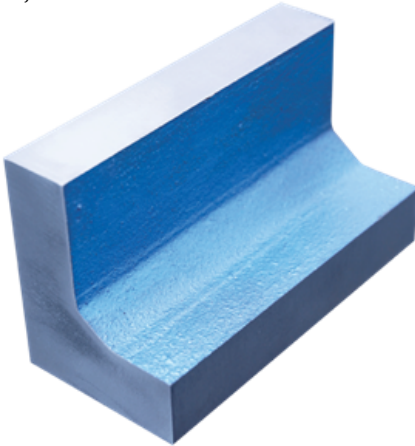
B	H	S	L	gewicht (kg)	Ref.
50	50	12	100	0,8	WWN.913.401.0100
50	50	12	200	1,5	WWN.913.401.0200
50	50	12	300	2,3	WWN.913.401.0300
50	50	12	400	3	WWN.913.401.0400
50	50	12	500	3,8	WWN.913.401.0500
50	50	12	600	4,6	WWN.913.401.0600
50	50	12	800	6	WWN.913.401.0800
50	50	12	1000	7,6	WWN.913.401.1000
63	63	14	100	1,1	WWN.913.402.0100
63	63	14	200	2,3	WWN.913.402.0200
63	63	14	300	3,4	WWN.913.402.0300
63	63	14	400	4,5	WWN.913.402.0400
63	63	14	500	5,6	WWN.913.402.0500
63	63	14	600	6,8	WWN.913.402.0600
63	63	14	800	9	WWN.913.402.0800
63	63	14	1000	11,2	WWN.913.402.1000
80	80	16	100	1,7	WWN.913.403.0100
80	80	16	200	3,3	WWN.913.403.0200
80	80	16	300	5	WWN.913.403.0300
80	80	16	400	6,6	WWN.913.403.0400
80	80	16	500	8,3	WWN.913.403.0500
80	80	16	600	10	WWN.913.403.0600
100	100	20	100	2,6	WWN.913.404.0100
100	100	20	200	5,2	WWN.913.404.0200
100	100	20	300	7,8	WWN.913.404.0300
100	100	20	400	10,4	WWN.913.404.0400
100	100	20	500	13	WWN.913.404.0500
100	100	20	600	15,5	WWN.913.404.0600
100	100	20	700	18,1	WWN.913.404.0700
100	100	20	800	20,7	WWN.913.404.0800
125	125	22	100	3,6	WWN.913.405.0100
125	125	22	200	7,2	WWN.913.405.0200
125	125	22	300	10,8	WWN.913.405.0300
125	125	22	400	14,4	WWN.913.405.0400
125	125	22	500	18	WWN.913.405.0500
125	125	22	600	21,7	WWN.913.405.0600
125	125	22	700	25,3	WWN.913.405.0700
125	125	22	800	28,8	WWN.913.405.0800
150	150	25	100	4,9	WWN.913.4055.0100

B	H	S	L	gewicht (kg)	Ref.
150	150	25	200	9,9	WWN.913.4055.0200
150	150	25	300	15	WWN.913.4055.0300
150	150	25	400	20	WWN.913.4055.0400
150	150	25	500	25	WWN.913.4055.0500
150	150	25	600	30	WWN.913.4055.0600
150	150	25	700	35	WWN.913.4055.0700
150	150	25	800	40	WWN.913.4055.0800
160	160	25	100	5,3	WWN.913.406.0100
160	160	25	200	10,6	WWN.913.406.0200
160	160	25	300	15,9	WWN.913.406.0300
160	160	25	400	21,2	WWN.913.406.0400
160	160	25	500	26,5	WWN.913.406.0500
160	160	25	600	31,8	WWN.913.406.0600
160	160	25	700	37,1	WWN.913.406.0700
160	160	25	800	42,4	WWN.913.406.0800
200	200	32	100	8,5	WWN.913.407.0100
200	200	32	200	17	WWN.913.407.0200
200	200	32	300	25,4	WWN.913.407.0300
200	200	32	400	33,9	WWN.913.407.0400
200	200	32	500	42,4	WWN.913.407.0500
200	200	32	600	50,9	WWN.913.407.0600
200	200	32	700	59,3	WWN.913.407.0700
200	200	32	800	67,8	WWN.913.407.0800
250	250	36	100	12	WWN.913.408.0100
250	250	36	200	24	WWN.913.408.0200
250	250	36	300	36	WWN.913.408.0300
250	250	36	400	48	WWN.913.408.0400
250	250	36	500	60	WWN.913.408.0500
250	250	36	600	72	WWN.913.408.0600
250	250	36	700	84	WWN.913.408.0700
250	250	36	800	96	WWN.913.408.0800
315	315	38	100	16	WWN.913.409.0100
315	315	38	200	32	WWN.913.409.0200
315	315	38	300	49	WWN.913.409.0300
315	315	38	400	64	WWN.913.409.0400
315	315	38	500	80	WWN.913.409.0500
315	315	38	600	96	WWN.913.409.0600
315	315	38	700	112	WWN.913.409.0700
315	315	38	800	128	WWN.913.409.0800

## L - PROFIEL UIT GIETIJZER

**WWN.912**

MATERIAAL :  
gietijzer EN 1561.



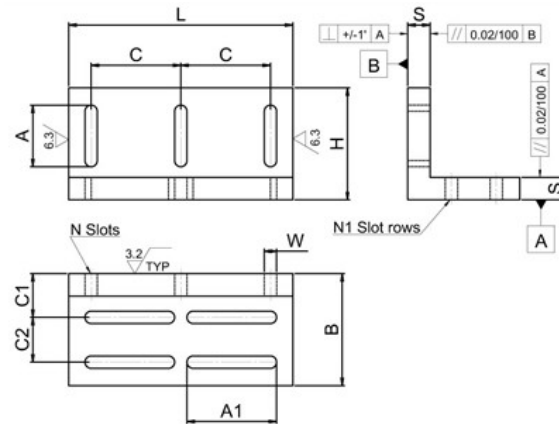
B	H	S	R	L	gewicht (kg)	Ref.
50	63	20	12	100	1,4	<a href="#">WWN.912.401.0100</a>
50	63	20	12	200	2,7	<a href="#">WWN.912.401.0200</a>
50	63	20	12	300	4,1	<a href="#">WWN.912.401.0300</a>
50	63	20	12	400	5,4	<a href="#">WWN.912.401.0400</a>
50	63	20	12	500	6,8	<a href="#">WWN.912.401.0500</a>
50	63	20	12	600	8,2	<a href="#">WWN.912.401.0600</a>
63	80	20	14	100	1,8	<a href="#">WWN.912.402.0100</a>
63	80	20	14	200	3,6	<a href="#">WWN.912.402.0200</a>
63	80	20	14	300	5,4	<a href="#">WWN.912.402.0300</a>
63	80	20	14	400	7,2	<a href="#">WWN.912.402.0400</a>
63	80	20	14	500	9	<a href="#">WWN.912.402.0500</a>
63	80	20	14	600	10,8	<a href="#">WWN.912.402.0600</a>
80	100	22	16	100	2,5	<a href="#">WWN.912.4025.0100</a>
80	100	22	16	200	5,1	<a href="#">WWN.912.4025.0200</a>
80	100	22	16	300	7,6	<a href="#">WWN.912.4025.0300</a>
80	100	22	16	400	10	<a href="#">WWN.912.4025.0400</a>
80	100	22	16	500	12,5	<a href="#">WWN.912.4025.0500</a>
80	100	22	16	600	15	<a href="#">WWN.912.4025.0600</a>
100	125	25	18	100	3,6	<a href="#">WWN.912.403.0100</a>
100	125	25	18	200	7,3	<a href="#">WWN.912.403.0200</a>
100	125	25	18	300	10,5	<a href="#">WWN.912.403.0300</a>
100	125	25	18	400	15	<a href="#">WWN.912.403.0400</a>
100	125	25	18	500	17,5	<a href="#">WWN.912.403.0500</a>
100	125	25	18	600	22	<a href="#">WWN.912.403.0600</a>

B	H	S	R	L	gewicht (kg)	Ref.
125	160	28	20	100	5,2	<a href="#">WWN.912.4035.0100</a>
125	160	28	20	200	10	<a href="#">WWN.912.4035.0200</a>
125	160	28	20	300	16,5	<a href="#">WWN.912.4035.0300</a>
125	160	28	20	400	21	<a href="#">WWN.912.4035.0400</a>
125	160	28	20	500	26	<a href="#">WWN.912.4035.0500</a>
125	160	28	20	600	31	<a href="#">WWN.912.4035.0600</a>
160	200	32	22	100	7,6	<a href="#">WWN.912.404.0100</a>
160	200	32	22	200	15	<a href="#">WWN.912.404.0200</a>
160	200	32	22	300	22,5	<a href="#">WWN.912.404.0300</a>
160	200	32	22	400	31	<a href="#">WWN.912.404.0400</a>
160	200	32	22	500	37,5	<a href="#">WWN.912.404.0500</a>
160	200	32	22	600	45	<a href="#">WWN.912.404.0600</a>
200	250	40	25	100	12	<a href="#">WWN.912.405.0100</a>
200	250	40	25	200	24	<a href="#">WWN.912.405.0200</a>
200	250	40	25	300	36	<a href="#">WWN.912.405.0300</a>
200	250	40	25	400	48	<a href="#">WWN.912.405.0400</a>
200	250	40	25	500	59	<a href="#">WWN.912.405.0500</a>
200	250	40	25	600	72	<a href="#">WWN.912.405.0600</a>
250	315	40	28	100	15	<a href="#">WWN.912.406.0100</a>
250	315	40	28	200	30	<a href="#">WWN.912.406.0200</a>
250	315	40	28	300	46	<a href="#">WWN.912.406.0300</a>
250	315	40	28	400	61	<a href="#">WWN.912.406.0400</a>
250	315	40	28	500	76	<a href="#">WWN.912.406.0500</a>
250	315	40	28	600	91	<a href="#">WWN.912.406.0600</a>

## L - PROFIEL UIT GIETIJZER

**WWN.932**

MATERIAAL :  
gietijzer EN 1561.

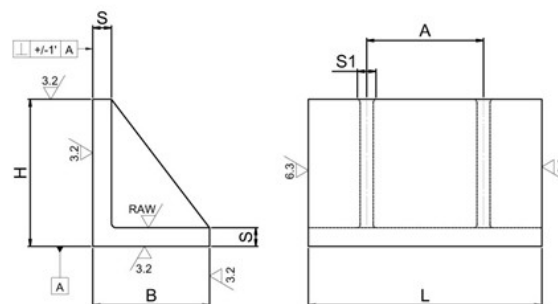
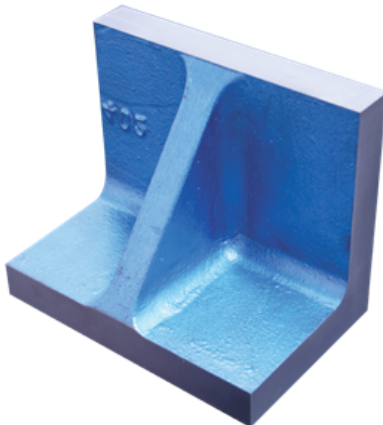


B	H	L	S	A	A1	C	C1	C2	N	N1	W	gewicht (kg)	Ref.
100	100	100	20	55	71	60	39	40	2	2	11	2,5	WWN.932.401
100	100	200	20	55	80	80	39	40	3	2	11	5	WWN.932.403
160	160	200	25	107	75	75	55	40	3	3	14	10,4	WWN.932.405
200	200	200	32	140	75	75	55	60	3	3	14	16,8	WWN.932.407

## L - PROFIEL UIT GIETIJZER

**WWN.914**

MATERIAAL :  
gietijzer EN 1561.

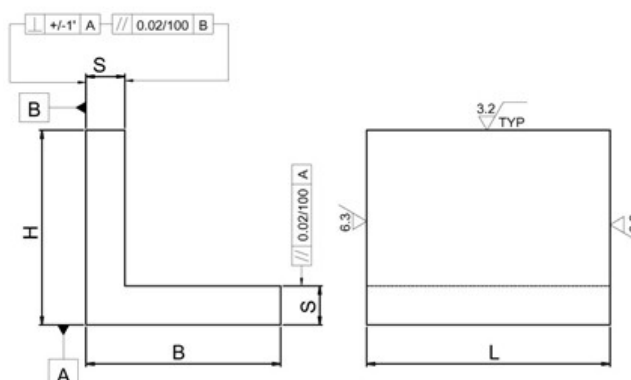
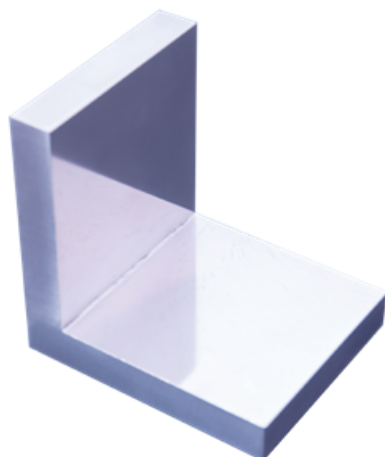


B	H	S	S1	A	L	gewicht (kg)	Ref.
80	100	20	16	-	150	3,7	WWN.914.401.0150
80	100	20	16	150	300	7,5	WWN.914.401.0300
100	125	22	18	-	150	5,3	WWN.914.402.0150
100	125	22	18	150	300	11	WWN.914.402.0300
125	160	25	20	-	150	8	WWN.914.403.0150
125	160	25	20	150	300	16	WWN.914.403.0300
160	200	32	22	-	150	13	WWN.914.404.0150
160	200	32	22	150	300	26	WWN.914.404.0300
200	250	36	25	-	200	25	WWN.914.405.0200
200	250	36	25	200	400	49	WWN.914.405.0400
250	315	40	28	-	250	44	WWN.914.406.0250
250	315	40	28	250	500	87	WWN.914.406.0500

## L - PROFIEL UIT ALUMINIUM

**WWN.944**

MATERIAAL : Aluminium AA - 70/75

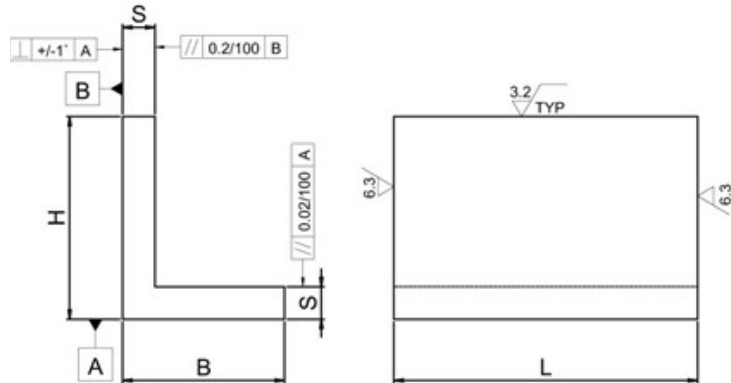
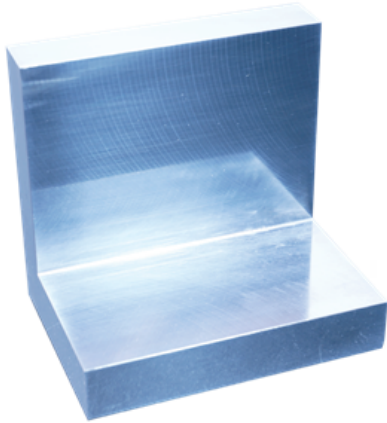


B	H	S	L	gewicht (kg)	Ref.
63	63	12	100	0,35	<a href="#">WWN.944.400.0100</a>
63	63	12	200	0,7	<a href="#">WWN.944.400.0200</a>
63	63	12	300	1,05	<a href="#">WWN.944.400.0300</a>
63	63	12	400	1,4	<a href="#">WWN.944.400.0400</a>
63	63	12	500	1,75	<a href="#">WWN.944.400.0500</a>
63	63	12	600	2,1	<a href="#">WWN.944.400.0600</a>
80	80	16	100	0,6	<a href="#">WWN.944.401.0100</a>
80	80	16	200	1,2	<a href="#">WWN.944.401.0200</a>
80	80	16	300	1,9	<a href="#">WWN.944.401.0300</a>
80	80	16	400	2,5	<a href="#">WWN.944.401.0400</a>
80	80	16	500	3,1	<a href="#">WWN.944.401.0500</a>
80	80	16	600	3,7	<a href="#">WWN.944.401.0600</a>
100	100	20	100	1	<a href="#">WWN.944.402.0100</a>
100	100	20	200	1,9	<a href="#">WWN.944.402.0200</a>
100	100	20	300	2,9	<a href="#">WWN.944.402.0300</a>
100	100	20	400	3,9	<a href="#">WWN.944.402.0400</a>
100	100	20	500	4,9	<a href="#">WWN.944.402.0500</a>
100	100	20	600	5,8	<a href="#">WWN.944.402.0600</a>
125	125	20	100	1,4	<a href="#">WWN.944.403.0100</a>
125	125	20	200	2,7	<a href="#">WWN.944.403.0200</a>
125	125	20	300	4,1	<a href="#">WWN.944.403.0300</a>
125	125	20	400	5,4	<a href="#">WWN.944.403.0400</a>
125	125	20	500	6,8	<a href="#">WWN.944.403.0500</a>
125	125	20	600	8,1	<a href="#">WWN.944.403.0600</a>
160	160	25	100	1,8	<a href="#">WWN.944.4035.0100</a>
160	160	25	200	3,6	<a href="#">WWN.944.4035.0200</a>
160	160	25	300	5,4	<a href="#">WWN.944.4035.0300</a>
160	160	25	400	7,2	<a href="#">WWN.944.4035.0400</a>
160	160	25	500	9	<a href="#">WWN.944.4035.0500</a>
160	160	25	600	10,8	<a href="#">WWN.944.4035.0600</a>
200	200	32	100	3,2	<a href="#">WWN.944.404.0100</a>
200	200	32	200	6,4	<a href="#">WWN.944.404.0200</a>
200	200	32	300	9,5	<a href="#">WWN.944.404.0300</a>
200	200	32	400	13	<a href="#">WWN.944.404.0400</a>
200	200	32	500	16	<a href="#">WWN.944.404.0500</a>
200	200	32	600	19	<a href="#">WWN.944.404.0600</a>

## L - PROFIEL UIT ALUMINIUM

**WWN.946**

MATERIAAL : Aluminium AA - 70/75



B	H	S	L	gewicht (kg)	Ref.
63	80	16	100	0,5	<a href="#">WWN.946.401.0100</a>
63	80	16	200	1,0	<a href="#">WWN.946.401.0200</a>
63	80	16	300	1,5	<a href="#">WWN.946.401.0300</a>
63	80	16	400	2,0	<a href="#">WWN.946.401.0400</a>
63	80	16	500	2,5	<a href="#">WWN.946.401.0500</a>
63	80	16	600	3,0	<a href="#">WWN.946.401.0600</a>
80	100	20	100	0,8	<a href="#">WWN.946.402.0100</a>
80	100	20	200	1,6	<a href="#">WWN.946.402.0200</a>
80	100	20	300	2,4	<a href="#">WWN.946.402.0300</a>
80	100	20	400	3,2	<a href="#">WWN.946.402.0400</a>
80	100	20	500	4,0	<a href="#">WWN.946.402.0500</a>
80	100	20	600	4,8	<a href="#">WWN.946.402.0600</a>
100	125	20	100	1,0	<a href="#">WWN.946.403.0100</a>
100	125	20	200	2,0	<a href="#">WWN.946.403.0200</a>
100	125	20	300	3,0	<a href="#">WWN.946.403.0300</a>
100	125	20	400	4,0	<a href="#">WWN.946.403.0400</a>
100	125	20	500	5,0	<a href="#">WWN.946.403.0500</a>
100	125	20	600	6,0	<a href="#">WWN.946.403.0600</a>
125	160	25	100	1,6	<a href="#">WWN.946.404.0100</a>
125	160	25	200	3,2	<a href="#">WWN.946.404.0200</a>
125	160	25	300	4,8	<a href="#">WWN.946.404.0300</a>
125	160	25	400	6,4	<a href="#">WWN.946.404.0400</a>
125	160	25	500	8,0	<a href="#">WWN.946.404.0500</a>
125	160	25	600	9,6	<a href="#">WWN.946.404.0600</a>
160	200	32	100	2,6	<a href="#">WWN.946.405.0100</a>
160	200	32	200	5,2	<a href="#">WWN.946.405.0200</a>
160	200	32	300	7,8	<a href="#">WWN.946.405.0300</a>
160	200	32	400	10,4	<a href="#">WWN.946.405.0400</a>
160	200	32	500	13,0	<a href="#">WWN.946.405.0500</a>
160	200	32	600	15,6	<a href="#">WWN.946.405.0600</a>