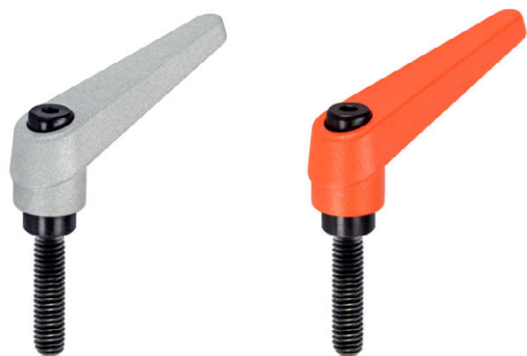
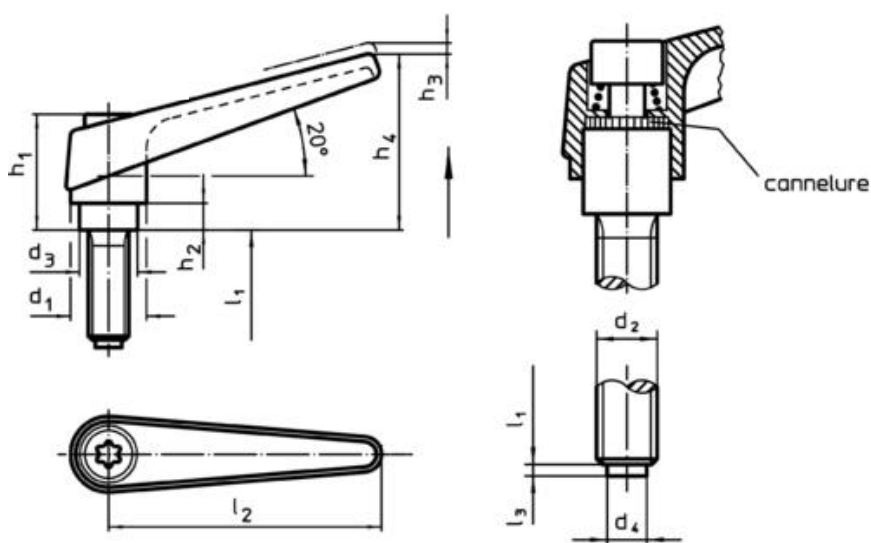


VERSTELBAAR HANDVAT MET VLAKKE KUNSTSTOFFEN SPANTAP

H.24410

MATERIAAL EN UITVOERING :

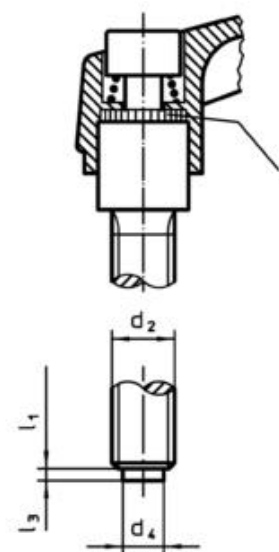
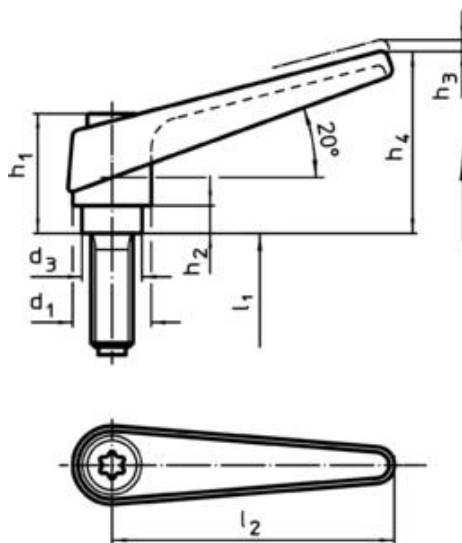
 Handvat uit zamak met kunststoffen bekleding :
 Binnendelen en draadstang uit gebruind staal 5.8.

OPMERKING : verstelling door hendel te heffen.


Vlakke spantap uit kunststof

d 1	d 2	l 1	d 3	d 4	h 1	h 2	h 3	h 4	l 2	l 3	Ref.		
											oranje	silver	zwart
14	M 6	16	10,0	4,0	24,5	4,0	3	35	45	1,0	H.24410.0141	H.24410.0143	H.24410.0144
14	M 6	20	10,0	4,0	24,5	4,0	3	35	45	1,0	H.24410.0151	H.24410.0153	H.24410.0154
14	M 6	25	10,0	4,0	24,5	4,0	3	35	45	1,0	H.24410.0161	H.24410.0163	H.24410.0164
14	M 6	32	10,0	4,0	24,5	4,0	3	35	45	1,0	H.24410.0171	H.24410.0173	H.24410.0174
14	M 6	40	10,0	4,0	24,5	4,0	3	35	45	1,0	H.24410.0181	H.24410.0183	H.24410.0184
14	M 6	50	10,0	4,0	24,5	4,0	3	35	45	1,0	H.24410.0191	H.24410.0193	H.24410.0194
18	M 8	20	13,5	6,0	31,0	6,5	3	45	62	1,0	H.24410.0341	H.24410.0343	H.24410.0344
18	M 8	25	13,5	6,0	31,0	6,5	3	45	62	1,0	H.24410.0351	H.24410.0353	H.24410.0354
18	M 8	32	13,5	6,0	31,0	6,5	3	45	62	1,0	H.24410.0361	H.24410.0363	H.24410.0364
18	M 8	40	13,5	6,0	31,0	6,5	3	45	62	1,0	H.24410.0371	H.24410.0373	H.24410.0374
18	M 8	50	13,5	6,0	31,0	6,5	3	45	62	1,0	H.24410.0381	H.24410.0383	H.24410.0384
18	M 8	63	13,5	6,0	31,0	6,5	3	45	62	1,0	H.24410.0391	H.24410.0393	H.24410.0394
18	M10	20	13,5	8,0	31,0	6,5	3	45	62	2,0	H.24410.0441	H.24410.0443	H.24410.0444
18	M10	25	13,5	8,0	31,0	6,5	3	45	62	2,0	H.24410.0451	H.24410.0453	H.24410.0454
18	M10	32	13,5	8,0	31,0	6,5	3	45	62	2,0	H.24410.0461	H.24410.0463	H.24410.0464
18	M10	40	13,5	8,0	31,0	6,5	3	45	62	2,0	H.24410.0471	H.24410.0473	H.24410.0474
18	M10	50	13,5	8,0	31,0	6,5	3	45	62	2,0	H.24410.0481	H.24410.0483	H.24410.0484
18	M10	63	13,5	8,0	31,0	6,5	3	45	62	2,0	H.24410.0491	H.24410.0493	H.24410.0494

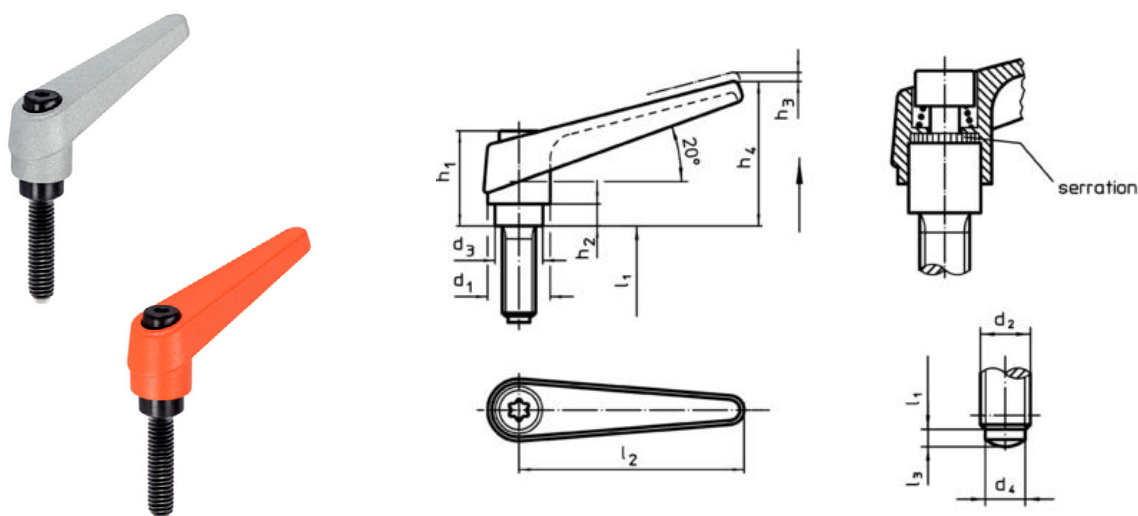
VERSTELBAAR HANDVAT MET VLAKKE SPANTAP UIT MESSING

H.24410

croquis 1

Met vlakke spantap uit messing

d1	d2	l1	d3	d4	h1	h2	h3	h4	l2	l3	gewicht (g)	Ref.		
												oranje	silver	zwart
14	M 6	16	10.0	4.0	24.5	4.0	3	35	45	1.0	37	H.24410.1141	H.24410.1143	H.24410.1144
14	M 6	20	10.0	4.0	24.5	4.0	3	35	45	1.0	38	H.24410.1151	H.24410.1153	H.24410.1154
14	M 6	25	10.0	4.0	24.5	4.0	3	35	45	1.0	39	H.24410.1161	H.24410.1163	H.24410.1164
14	M 6	32	10.0	4.0	24.5	4.0	3	35	45	1.0	40	H.24410.1171	H.24410.1173	H.24410.1174
14	M 6	40	10.0	4.0	24.5	4.0	3	35	45	1.0	41	H.24410.1181	H.24410.1183	H.24410.1184
14	M 6	50	10.0	4.0	24.5	4.0	3	35	45	1.0	43	H.24410.1191	H.24410.1193	H.24410.1194
18	M 8	20	13.5	6.0	31.0	6.5	3	45	62	1.0	76	H.24410.1341	H.24410.1343	H.24410.1344
18	M 8	25	13.5	6.0	31.0	6.5	3	45	62	1.0	77	H.24410.1351	H.24410.1353	H.24410.1354
18	M 8	32	13.5	6.0	31.0	6.5	3	45	62	1.0	79	H.24410.1361	H.24410.1363	H.24410.1364
18	M 8	40	13.5	6.0	31.0	6.5	3	45	62	1.0	81	H.24410.1371	H.24410.1373	H.24410.1374
18	M 8	50	13.5	6.0	31.0	6.5	3	45	62	1.0	84	H.24410.1381	H.24410.1383	H.24410.1384
18	M 8	63	13.5	6.0	31.0	6.5	3	45	62	1.0	89	H.24410.1391	H.24410.1393	H.24410.1394
18	M10	20	13.5	8.0	31.0	6.5	3	45	62	2.0	128	H.24410.1441	H.24410.1443	H.24410.1444
18	M10	25	13.5	8.0	31.0	6.5	3	45	62	2.0	130	H.24410.1451	H.24410.1453	H.24410.1454
18	M10	32	13.5	8.0	31.0	6.5	3	45	62	2.0	134	H.24410.1461	H.24410.1463	H.24410.1464
18	M10	40	13.5	8.0	31.0	6.5	3	45	62	2.0	138	H.24410.1471	H.24410.1473	H.24410.1474
18	M10	50	13.5	8.0	31.0	6.5	3	45	62	2.0	143	H.24410.1481	H.24410.1483	H.24410.1484
18	M10	63	13.5	8.0	31.0	6.5	3	45	62	2.0	148	H.24410.1491	H.24410.1493	H.24410.1494

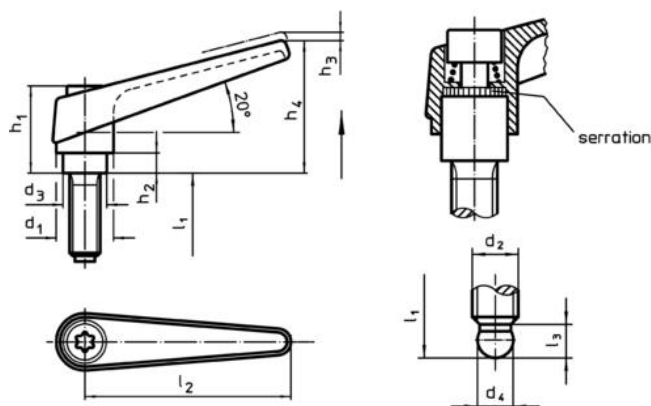
VERSTELBAAR HANDVAT MET AFGERONDE SPANTAP

H.24410


Met afgeronde spantap

d 1	d 2	l 1	d 3	d 4	h 1	h 2	h 3	h 4	l 2	l 3	gewicht (g)	Ref.		
												oranje	silver	zwart
14	M 6	16	10.0	4.0	24.5	4.0	3	35	45	1.8	39	H.24410.2141	H.24410.2143	H.24410.2144
14	M 6	20	10.0	4.0	24.5	4.0	3	35	45	1.8	40	H.24410.2151	H.24410.2153	H.24410.2154
14	M 6	25	10.0	4.0	24.5	4.0	3	35	45	1.8	41	H.24410.2161	H.24410.2163	H.24410.2164
14	M 6	32	10.0	4.0	24.5	4.0	3	35	45	1.8	42	H.24410.2171	H.24410.2173	H.24410.2174
14	M 6	40	10.0	4.0	24.5	4.0	3	35	45	1.8	43	H.24410.2181	H.24410.2183	H.24410.2184
14	M 6	50	10.0	4.0	24.5	4.0	3	35	45	1.8	45	H.24410.2191	H.24410.2193	H.24410.2194
18	M 8	20	13.5	6.0	31.0	6.5	3	45	62	1.8	78	H.24410.2341	H.24410.2343	H.24410.2344
18	M 8	25	13.5	6.0	31.0	6.5	3	45	62	1.8	79	H.24410.2351	H.24410.2353	H.24410.2354
18	M 8	32	13.5	6.0	31.0	6.5	3	45	62	1.8	81	H.24410.2361	H.24410.2363	H.24410.2364
18	M 8	40	13.5	6.0	31.0	6.5	3	45	62	1.8	83	H.24410.2371	H.24410.2373	H.24410.2374
18	M 8	50	13.5	6.0	31.0	6.5	3	45	62	1.8	86	H.24410.2381	H.24410.2383	H.24410.2384
18	M 8	63	13.5	6.0	31.0	6.5	3	45	62	1.8	91	H.24410.2391	H.24410.2393	H.24410.2394
18	M10	20	13.5	8.0	31.0	6.5	3	45	62	3.5	130	H.24410.2441	H.24410.2443	H.24410.2444
18	M10	25	13.5	8.0	31.0	6.5	3	45	62	3.5	132	H.24410.2451	H.24410.2453	H.24410.2454
18	M10	32	13.5	8.0	31.0	6.5	3	45	62	3.5	136	H.24410.2461	H.24410.2463	H.24410.2464
18	M10	40	13.5	8.0	31.0	6.5	3	45	62	3.5	140	H.24410.2471	H.24410.2473	H.24410.2474
18	M10	50	13.5	8.0	31.0	6.5	3	45	62	3.5	145	H.24410.2481	H.24410.2483	H.24410.2484
18	M10	63	13.5	8.0	31.0	6.5	3	45	62	3.5	150	H.24410.2491	H.24410.2493	H.24410.2494

VERSTELBAAR HANDVAT MET KOGELSPANTAP

H.24410


Met kogelspantap

d 1	d 2	l 1	d 3	d 4	h 1	h 2	h 3	h 4	l 2	l 3	gewicht (g)	Ref.		
												oranje	silver	zwart
14	M 6	16	10.0	4.5 +0.05	24.5	4.0	3	35	45	3.6	35	H.24410.3141	H.24410.3143	H.24410.3144
14	M 6	20	10.0	4.5 +0.05	24.5	4.0	3	35	45	3.6	36	H.24410.3151	H.24410.3153	H.24410.3154
14	M 6	25	10.0	4.5 +0.05	24.5	4.0	3	35	45	3.6	37	H.24410.3161	H.24410.3163	H.24410.3164
14	M 6	32	10.0	4.5 +0.05	24.5	4.0	3	35	45	3.6	38	H.24410.3171	H.24410.3173	H.24410.3174
14	M 6	40	10.0	4.5 +0.05	24.5	4.0	3	35	45	3.6	39	H.24410.3181	H.24410.3183	H.24410.3184
14	M 6	50	10.0	4.5 +0.05	24.5	4.0	3	35	45	3.6	41	H.24410.3191	H.24410.3193	H.24410.3194
18	M 8	20	13.5	6.1 +0.05	31.0	6.5	3	45	62	3.6	74	H.24410.3341	H.24410.3343	H.24410.3344
18	M 8	25	13.5	6.1 +0.05	31.0	6.5	3	45	62	3.6	75	H.24410.3351	H.24410.3353	H.24410.3354
18	M 8	32	13.5	6.1 +0.05	31.0	6.5	3	45	62	3.6	77	H.24410.3361	H.24410.3363	H.24410.3364
18	M 8	40	13.5	6.1 +0.05	31.0	6.5	3	45	62	3.6	79	H.24410.3371	H.24410.3373	H.24410.3374
18	M 8	50	13.5	6.1 +0.05	31.0	6.5	3	45	62	3.6	82	H.24410.3381	H.24410.3383	H.24410.3384
18	M 8	63	13.5	6.1 +0.05	31.0	6.5	3	45	62	3.6	87	H.24410.3391	H.24410.3393	H.24410.3394
18	M10	20	13.5	7.8 +0.05	31.0	6.5	3	45	62	4.3	126	H.24410.3441	H.24410.3443	H.24410.3444
18	M10	25	13.5	7.8 +0.05	31.0	6.5	3	45	62	4.3	128	H.24410.3451	H.24410.3453	H.24410.3454
18	M10	32	13.5	7.8 +0.05	31.0	6.5	3	45	62	4.3	132	H.24410.3461	H.24410.3463	H.24410.3464
18	M10	40	13.5	7.8 +0.05	31.0	6.5	3	45	62	4.3	136	H.24410.3471	H.24410.3473	H.24410.3474
18	M10	50	13.5	7.8 +0.05	31.0	6.5	3	45	62	4.3	141	H.24410.3481	H.24410.3483	H.24410.3484
18	M10	63	13.5	7.8 +0.05	31.0	6.5	3	45	62	4.3	146	H.24410.3491	H.24410.3493	H.24410.3494